

# Hisense



## EUROPEAN Air conditioners 2023



red dot

global.hisense.com

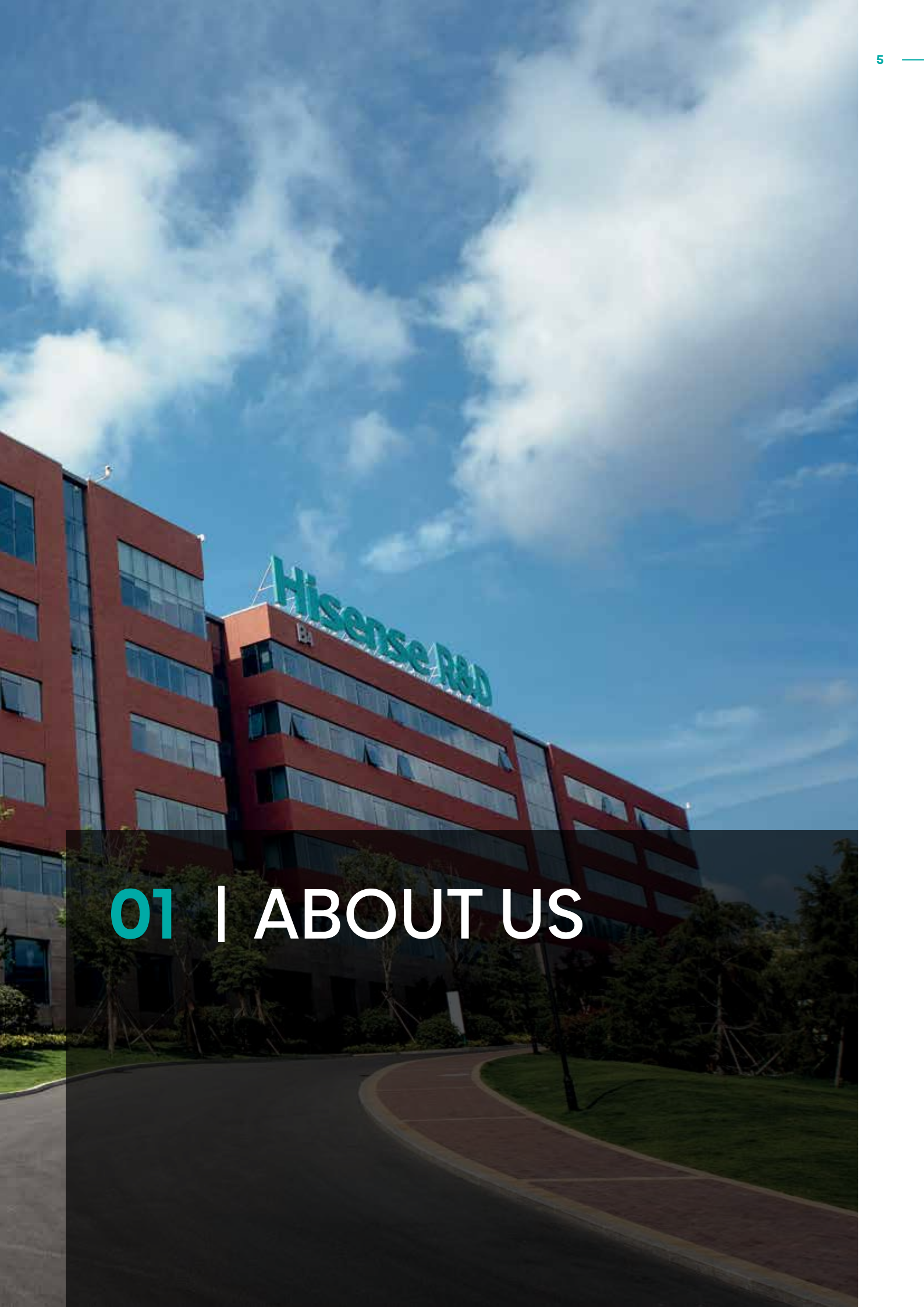


# Our Mission

is to deliver an enhanced customer experience that exceeds expectations with every product we sell. From our product's cutting-edge technology, superior performance, elegant & sophisticated design, and enduring reliability to the most trusted retail partners in the industry, nothing is ever compromised. Step off the beaten path, choose Hisense, where innovation meets value.

<b>01</b>	<b>About us</b>	<b>04-07</b>	<b>03</b>	<b>Portable air conditioners</b>	<b>54-65</b>
<b>02</b>	<b>Mono-split air conditioners</b>	<b>08-53</b>	<b>04</b>	<b>Multi-split air conditioners</b>	<b>66-99</b>
	Line up	10-11		Line up	68-69
	Features	12-25		Multi-Outdoor	70-78
	Products	26-47		Wall Mounted Multi-Split	79-81
	Energy Nordic	26-27		Cassette	82-87
	Energy Pro Plus	28-29		Duct	88-91
	Fresh Master	30-31		Ceiling Suspended	92-95
	Energy SE	32-33		Console	96-99
	Hi Comfort	34-35	<b>05</b>	<b>Floor standing air conditioners</b>	<b>100-107</b>
	Mini Apple Pie	36-37	<b>06</b>	<b>Control System &amp; accessories</b>	<b>108-113</b>
	New Comfort	38-39			
	Wings Pro	40-41			
	Wings	42-43			
	Expert Smart	44-45			
	Easy Smart	46-47			
	Installation Drawings	48-51			
	Technical specifications	52-53			





# 01 | ABOUT US

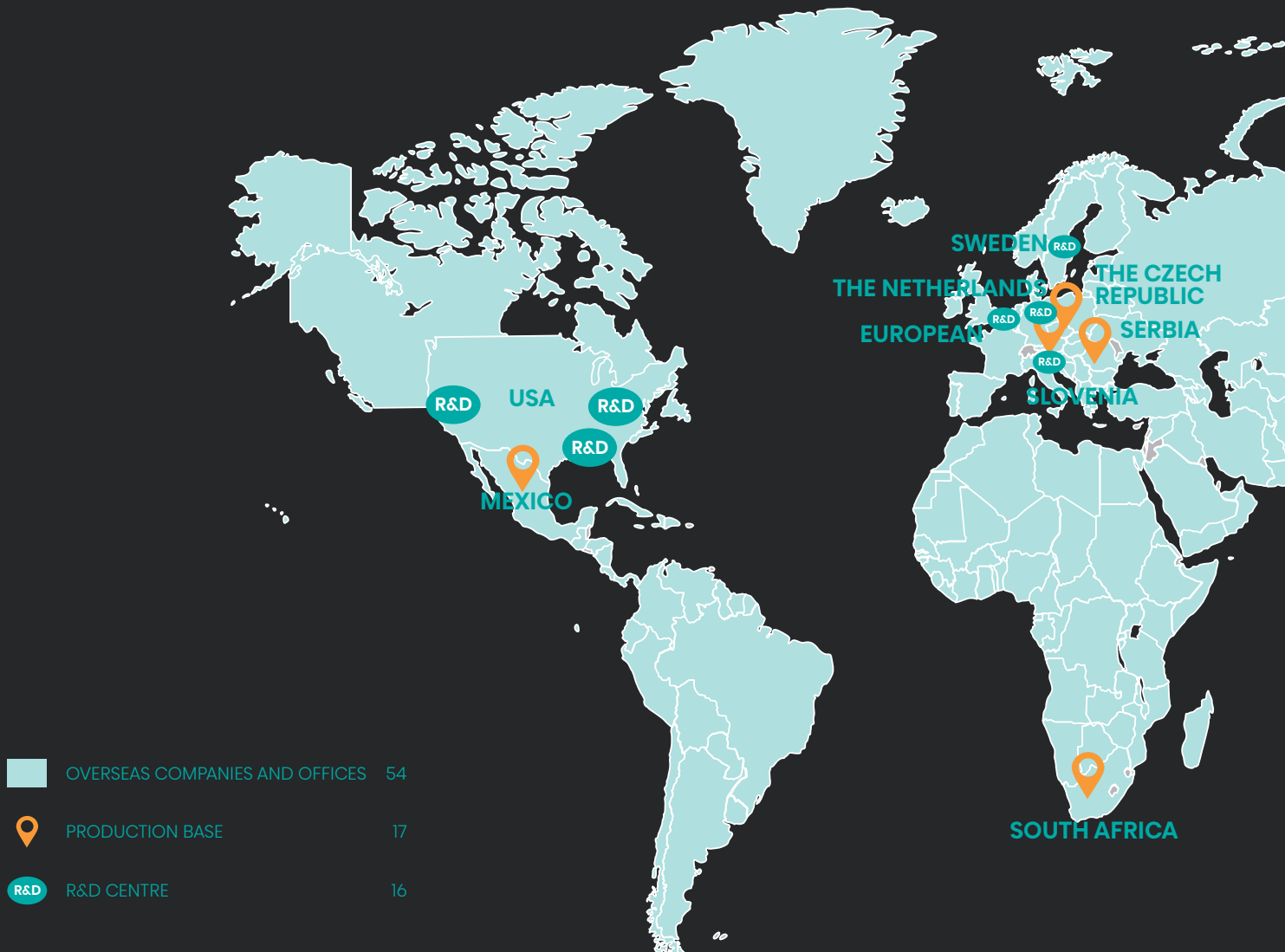
## Trusted by millions all over the world



Hisense was founded in 1969. At present, Hisense owns two listed companies - Hisense Visual Technology Co., Ltd. (600060) and HISENSE HA. (SZ000921, HK00921), listed in Shanghai, Shenzhen and Hong Kong. And it also owns many

brands including Hisense, Toshiba, Gorenje, ASKO, Kelon and Ronshen. In 2020, the overseas revenue gained 6.4 billion USD. In 2021, it achieved 11.3 billion USD, with a year-on-year growth of 43%

### Global network



With the products exported to over 160 countries and regions, Hisense has sponsored the world's top sporting events such as UEFA EURO 2016 and 2020, and 2018 and 2022 FIFA World Cup. In the China National Image Global Survey released by China International Publishing Group, Hisense was one of the "Top Ten most

familiar Chinese brands to overseas citizens" for five consecutive years. What's more, Hisense is the first batch of innovative enterprises in China and has won the "National Quality Award" twice. Hisense Group has 14 industrial parks, which are located in Qingdao, Shunde, Huzhou, Czech Republic, South Africa, Mexico and

so on. There are also 17 R&D centers located in Qingdao, Shenzhen, USA, Germany, etc. The number of R&D personnel reached 7000 with more than 3000 Master's degree and more than 100 PhD, with which Hisense initially established a global collaborative R&D system.









**02** | MONO-SPLIT AIR  
CONDITIONERS  
*wall-mounted*

# Line up

## Inverter

### Energy Nordic

A+++/A+++



3500 W  
QH35XV0EG  
QH35XV0EW

### Energy Pro Plus

A+++/A+++



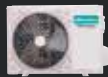
2600 W  
QG25XV0EG  
QG25XV0EW



3500 W  
QG35XV0EG  
QG35XV0EW

### Fresh Master

A+++/A+++

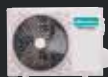


2500 W  
QF25XW0EG  
QF25XW0EW

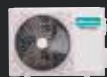


3500 W  
QF35XW0EG  
QF35XW0EW

### Energy SE



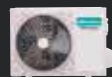
2600 W  
KA25MR0EG  
KA25MR0EW



3500 W  
KA35XR0EG  
KA35XR0EW



5000 W  
KA50BS0EG  
KA50BS0EW



7000 W  
KA70KT0EG  
KA70KT0EW

### Hi-Comfort



2600 W  
KE25YR4EG  
KE25YR4EW



3500 W  
KE35MR0EG  
KE35MR0EW



5000 W  
KE50BS0EG  
KE50BS0EW



7000 W  
KE70BT2EG  
KE70BT2EW

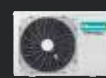
### Mini apple pie



2600 W  
TG25LE0BG  
TG25LE0BW



3500 W  
TG35LE0BG  
TG35LE0BW



5000 W  
TG50XA0BG  
TG50XA0BW



7000 W  
TG70BB0CG  
TG70BB0CW

## New Comfort



2600 W  
DJ25LE0EG  
DJ25LE0EW



3500 W  
DJ35LE0EG  
DJ35LE0EW



5000 W  
DJ50XA0EG  
DJ50XA0EW



7000 W  
DJ70BB0EG  
DJ70BB0EW

## Wings Pro



2600 W  
KB25YR3EG  
KB25YR3EW



3400 W  
KB35YR3EG  
KB35YR3EW



5000 W  
KB50XS1EG  
KB50XS1EW



6500 W  
KB70BT1EG  
KB70BT1EW

## Wings



2600 W  
KB25YR3FG  
KB25YR3FW



3400 W  
KB35YR3FG  
KB35YR3FW



5000 W  
KB50XS1FG  
KB50XS1FW



6500 W  
KB70BT1FG  
KB70BT1FW

## Expert Smart



2600 W  
CF25YR1FG  
CF25YR1FW



3400 W  
CF35YR1FG  
CF35YR1FW



5000 W  
CF50XS1FG  
CF50XS1FW



6500 W  
CF70BT1FG  
CF70BT1FW

## Easy Smart



2600 W  
CA25YR03G  
CA25YR03W



3400 W  
CA35YR03G  
CA35YR03W



5000 W  
CA50XS1AG  
CA50XS1AW



6500 W  
CA70BT1AG  
CA70BT1AW

# Technology



## Simple and reliable Wi-Fi operation

### Wi-Fi control

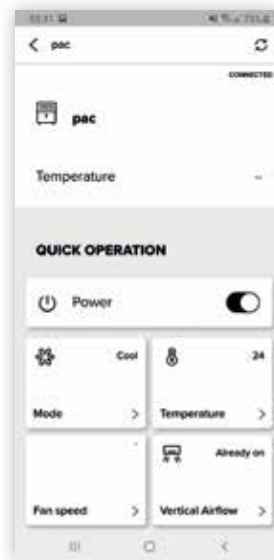
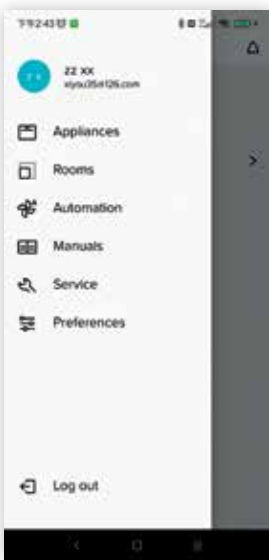
Control your air conditioner anytime and anywhere conveniently – inside and outside your home using just your Android or iOS device. Simply ensure a comfortable living environment at home at all times.



## Intelligent control from anywhere and anytime

### ConnectLife APP

Monitor and manage your air conditioner conveniently and easy anytime from anywhere. You can get the status information of your air conditioner, check the temperature and humidity in the room, update cycles for your smart air conditioning or activate intelligent functions and more. The application is available in Google Play and App Store.



## Master your life

### Smart voice control

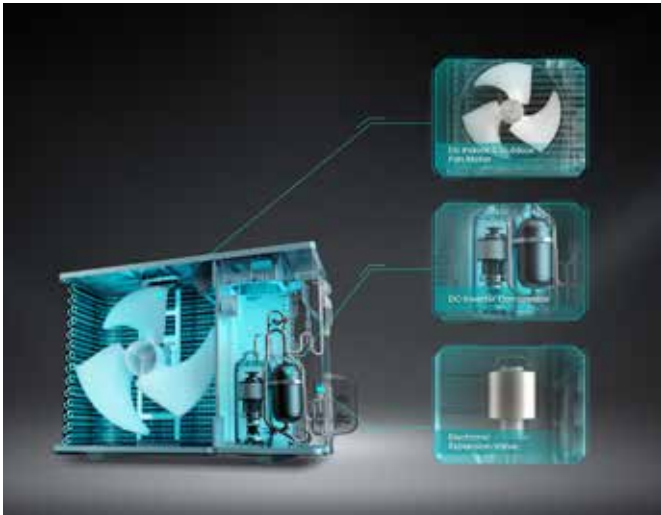
The new ConnectLife APP is compatible with Google virtual assistant or Amazon Alexa to lead the smart life. Thanks to voice interaction, it is possible to switch on, off and regulate the temperature, as well as setting the operating mode (cooling or heating).



## High-end technology for best performance

### 360° Full DC inverter

360° Full DC inverter technology is a collection of high-end technology, which realizes intelligent operation of air conditioner and minimizes energy loss. The compressor runs more efficiently and smoothly, the temperature control is more precise, and the unit is quiet.



## Improving the efficiency in winter

### Outdoor unit chassis heater

Special outdoor chassis heater improves the defrosting efficiency of the chassis in winters and therefore helps to maintain your air conditioner's optimum heating performance throughout the entire season and to extend the unit's life span.



## Less Energy, higher Comfort

### Economy mode operation

Without complicated settings, the AC immediately enters into energy saving mode to minimize power consumption while providing comfort



## Automatic protection

### Self-diagnosis

In case of failure, the error code is clearly displayed and easy to repair. In case of system overload, the emergency power off is initiated automatically to ensure safety.



## Two ways to suit your needs

### Dual drainage

Drainage, electrical and gas connection from either the left or the right side allows easier installation. It is easy to install, and you can choose from left or right to best suit your needs.



## Saving the energy

### 1 W standby

In standby mode, the air conditioning device automatically starts the energy saving mode. Instead of 5 W, only 1 W per hour is used, which means 80 % energy savings.



## Manage your energy consumption

### Power statistic display

Data about Power consumption of the air conditioner is displayed on the application thus you can check it at anytime and manage your energy consumption to reduce costs.



## Turbo mode

### Super Cool

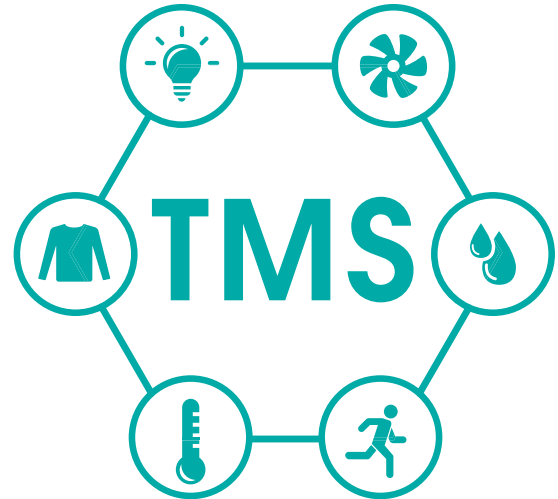
The turbo frequency increase technology enables rapid cooling or heating and allows you to enjoy larger airflow, so to feel comfortable in a shorter time.



## Intelligent control of temperature, humidity & wind speed

### TMS Comfort Control System

Hisense TMS technology is adopted to calculate the indoor environmental parameters which fit to users, based on six dimensions of temperature, humidity, wind speed, thermal radiation, clothing quantity and activity. It intelligently controls room temperature, humidity and wind speed.



## Convenience assured

### Easy installation

Gas and liquid pipes can be connected when AC hang on the wall with unique easy installation structure, which is convenient and efficient. Easy installation improves installation efficiency up to 35%.



## 7 protection levels for the longevity

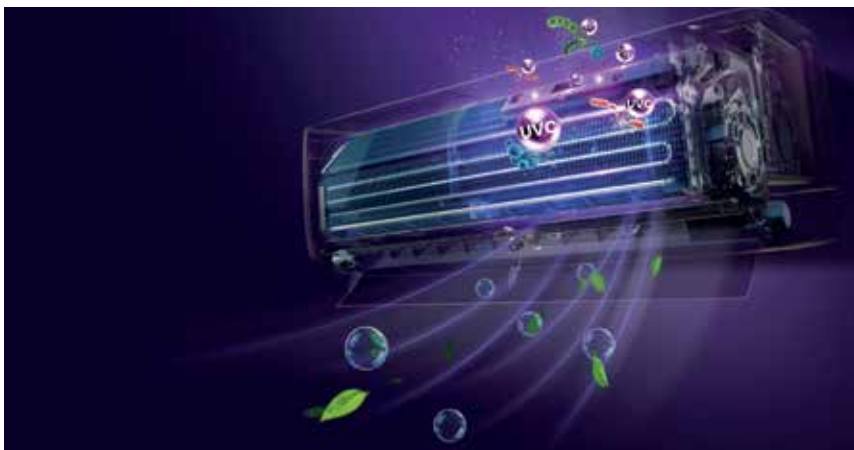
### Multi anti-corrosion protection

The exterior housing is protected by hot-dip galvanized steel plate and ceramic baking paint. By double zinc layer, double zinc-iron soluble layer, steel matrix, powder curing layer, ceramic paint layer they form a strong seven-fold protection and greatly extend the service life of outdoor machines.





# Wellbeing



## In charge of Healthy air

### HI-UVC sterilization

The UVC function is responsible for healthy air. The technology has advantages of long life, energy saving, no preheating and environment friendly. It has excellent killing effect on bacteria and viruses thus test reports from SGS laboratory prove that UVC function sterilize more than 99% of S.Aureus, E.Coli and H1N1 in 30 minutes.

\*All the test results comes from the test of Hisense HI-UVC function by SGS in a 1 m<sup>3</sup> test chamber.

## Keeping efficiency high and air clean

### Dual self-cleaning

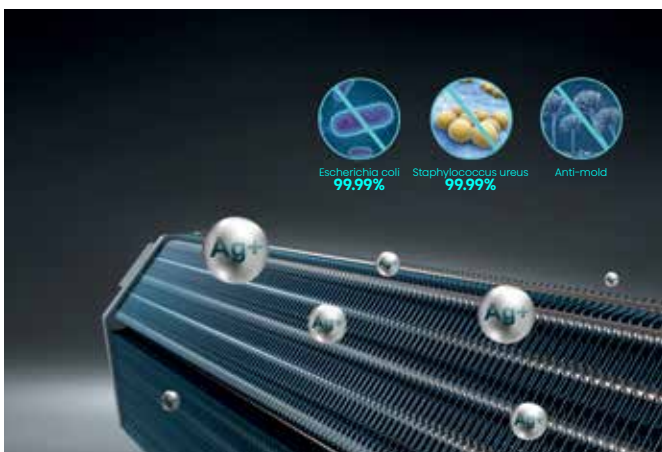
Hisense's patented second generation cleaning technology takes care of indoor and outdoor unit's maximum performance. Purification process via frosting and defrosting cycle and high-temperature drying remove dust, bacteria and oil from the units effectively and easily to keep the air conditioner clean and safe.



## Eliminates the bacteria and brings you fresher air

### Hydrophilic and anti-virus aluminum fin

Special painting formula on the evaporator, highly enhance the function of antibacterial and dust clearance.



## Clear air delivery system

### Cold plasma generator

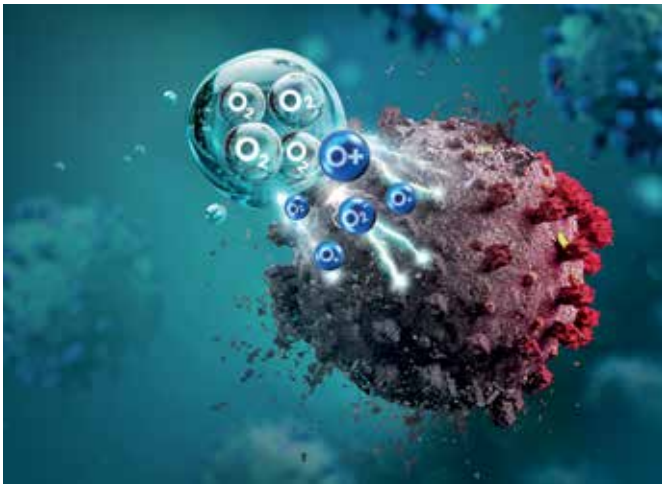
Cold plasma technology is a unique technology that deters odors and is a great clear air delivery system. Plasma dramatically reduces the harmful contaminants in the air and takes care of your well-being.



## Protects your home and your health

### HI-NANO

HI-NANO can effectively remove viruses and bacteria including Coronavirus (COVID-19) by releasing high concentration ions, creating a healthy environment and protecting health. HI-NANO has been proven to remove 92.6%\* H1N1 and sterilize 88.54%\* of E.coli in 2 hours. The Healthy high-concentration ions also can effectively remove airborne dust as HI-NANO has been proven to remove 60.07%\* of PM2.5 in 2 hours, purifying the air around you. The HI-NANO technology has been proven safe and has been authorized to apply the UL mark.



## Fresh air every day

### Fresh Air Technology

Due to the patented Fresh Air technology, the Hisense Fresh Master refreshes the whole room in just 3 minutes by introducing fresh and purified air from outdoors at a rate of 50m<sup>3</sup>/h. It detects CO<sub>2</sub> concentrations automatically, and signals the air quality on an LED display.



## Energy saving, low carbon and environment friendly

### Green and Safe refrigerant

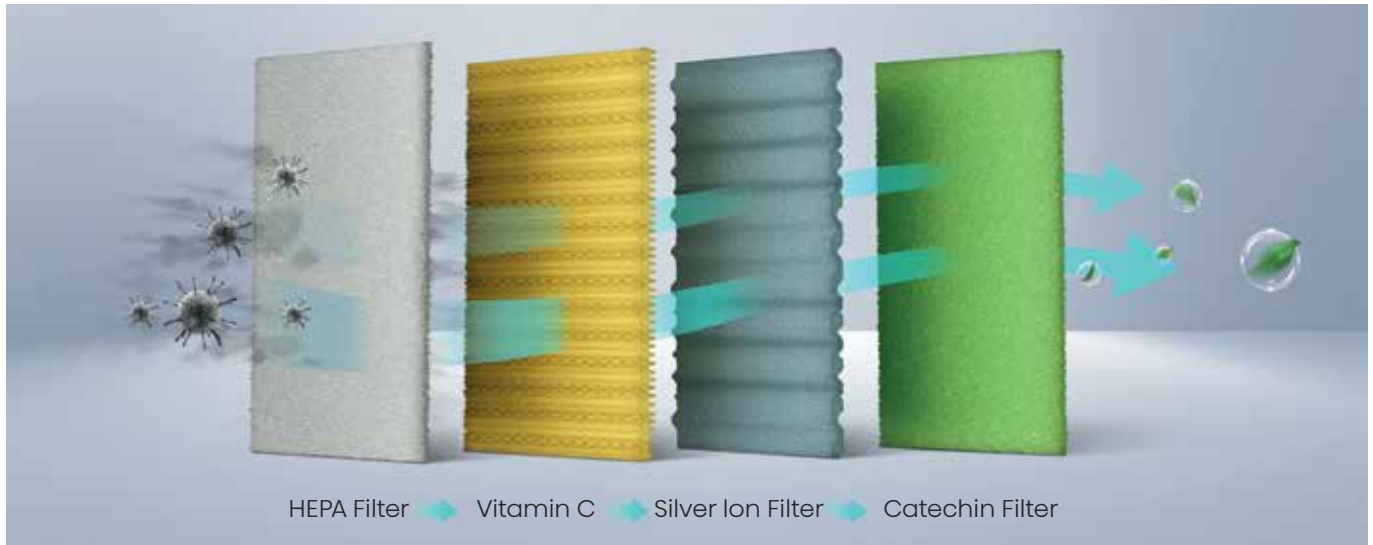
The R32 is environment-friendly refrigerant with a higher cooling capacity at the same volume, thus less refrigerant is needed in every device. Advantages of R32 refrigerant are: zero impact on ozone in the air, 66% lower GWP (impact on global warming) than gas R410A, higher energy efficiency, high thermal conductivity and cooling capacity.



## High quality air assured

### Multi-layer air purifying technology

Air travels through multiple filters and each has the function to provide you with better and healthier air. The most common filters in our ACs are Vitamin C filter, Catechin filter, Silver Ion filter and HEPA filter.



#### HEPA filter

A highly efficient HEPA filter, which captures 80 % more of dust particles than classical filters, ensuring even fresher and purer ambient air.

#### Vitamin C

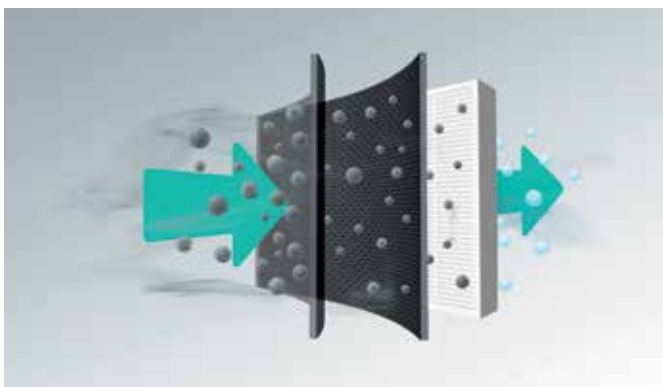
Vitamin C filters are an added protection that provides extremely clean air. Such pure air is healthy for the skin, as it does not cause itching, softens the skin and reduces stress while providing therapeutic benefits.

#### Silver ion filter

Silver ion filter is a highly efficient sterilizing filter that effectively stops bacteria from growing.

#### Catechin filter

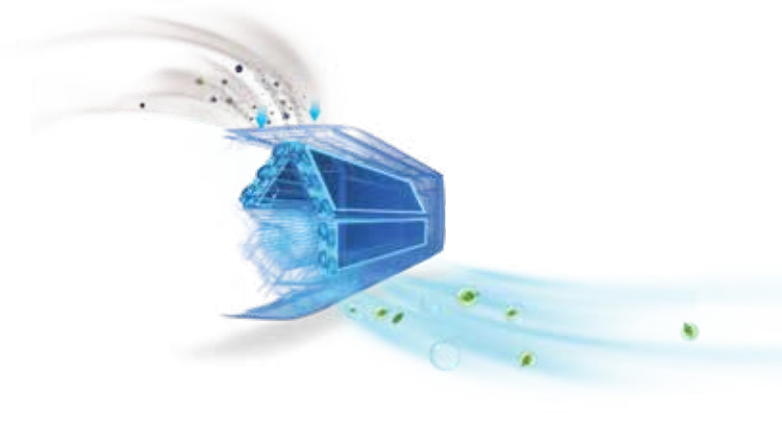
Catechin is an extract from green tea, which, thanks to its oxidation and sterilization effects, is added to the filters. Active enzymes create a benzene core that absorbs unpleasant odor and harmful substances in the atmosphere. The catechin filter intercepts and sterilizes dust particles effectively and in the long term. Its antibacterial effect destroys more than 95% of bacteria.



## Absorbs particles and unpleasant odour

### Active carbon filter

The Active Carbon filter includes a charcoal which in addition to particles, captures also chemicals, fumes, and cigarette smoke. Thus, it is the perfect solution to absorb and remove the air unpleasantness, so you can enjoy the fresh and clean air.



## Prevents mildew accumulation

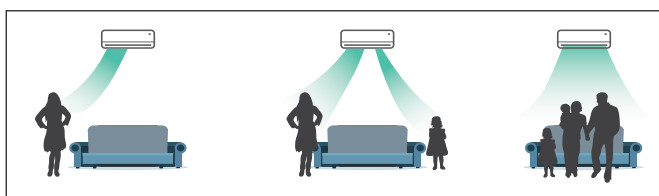
### Mildew proof

After turning off the air conditioner, the indoor fan will keep running for additional 30 seconds to dry the evaporator. With preventing mildew accumulation on the evaporator, you will keep the air healthy.

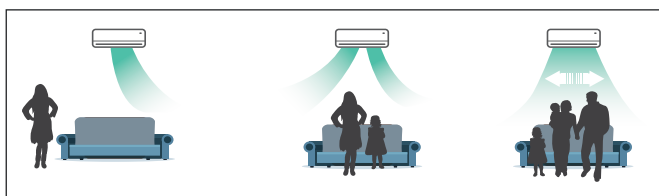
# Comfort & practicality



 Follow



 Avoid



## Optimum air distribution

Follow/Avoid mode

The left and right independent air deflector design allow the user to control the wind by remote. The wind will follow or avoid people, so one will feel perfectly comfortable all the time.

## Smart sensing for perfect air deliverance

### Smart eye

The smart eye senses the position and heating flow information of human body and accordingly, adjusts the wind direction of the air conditioner. The wind will thus be smartly delivered to the user's area, so that one feels perfectly cool.



## Managing air purity easily

### Air Quality display

A special sensor is detecting the CO<sub>2</sub> concentration in the room, signaling you the quality of the air you breathe. The red icon indicates poor air quality, yellow indicates average quality, and green icon indicates good air quality. In case of red air quality, just turn on the Fresh air function and regain fresh air.



## Automatic louver swinging

### 4D auto swing

By automatic movement of horizontal louvers in a specific order, the device ensures optimum distribution and flow of cool or warm air through the room in all four directions. The remote controller can also set fixed louver angle thus variety of air supply options to meet different needs.



## Saving time with easiness

### Easy maintenance

With the new indoor machine structure, you have no need to move evaporator when disassembling indoor electromechanical machine. Maintenance and efficiency are thus much improved.



## Intelligence that works with you

### AI Smart

With just one button, you can wake up the intelligent air steward and control temperature, humidity, wind direction and air volume in an all-round way. There is no need to worry about how to use the air conditioner, AI will do it for you.



## Save energy & keep your home from freezing

### 8°C heating

In chilly winter, the special heating mode keeps your home from freezing, by maintain it at 8°. When you are away from home for long periods, you will save energy, protect the furniture and water pipes, or offer the comfortable situation for the pets.



## Super heating capacity

### Heating at - 25°C

Being able to provide heat in - 25°C ambient is supported by our preheating technology and electric heating chassis technology. You will enjoy the sunny warm with perfect heating capacity in chilly winter.



## Best temperatures for everybody's vital sleep

### Four sleep modes

Sleep is vital for our body and resting comfortably brings benefits for our health. Selectable sleep modes are providing different sleep temperature, caring for all family members: adult, elderly, youth, children. The temperature curve will adjust automatically and intelligently, so you can fall asleep comfortably.



## Night mode operation

### Sleep mode

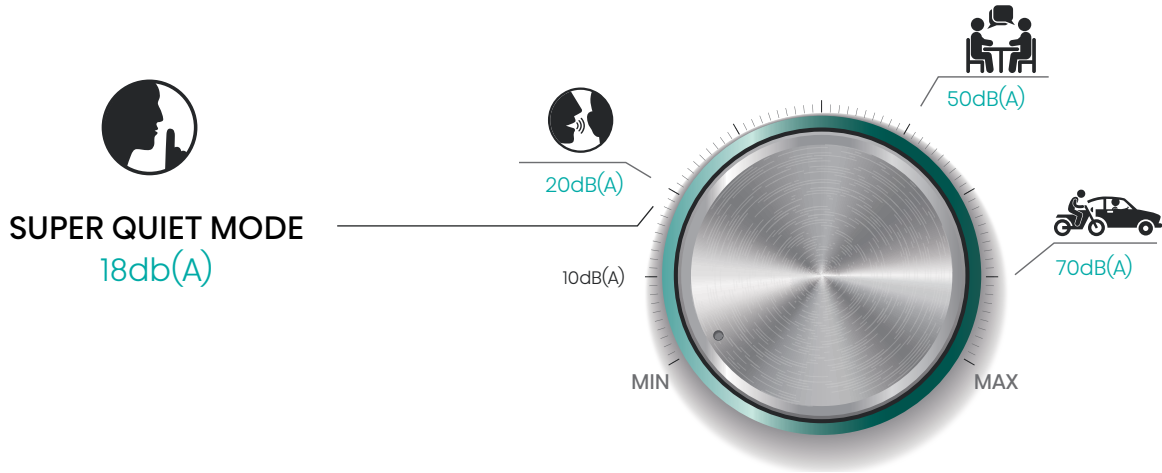
This function enables automatic increasing of set temperature by 2°C after one hour of operation. The temperature then remains constant and you can benefit from a comfortable sleep environment.



## Reducing noise to your convenience

### Silent operation

The noise lowers to 18dB (A), helping to give you a quiet and comfortable environment, making you feel like a walk on the moon.



## Preset daily mode operation

### Timer 24 h

You can set a specific time during the day to have the AC automatically turned on or off. No worries, just a simple pleasure of all-ways being in right temperature.



## One click for perfect room temperature

### Smart mode

Just press the "Smart" button and the air conditioner will automatically adjust to the most comfortable temperature according to the room temperature.



## Adjusting the temperature with remote

### I FEEL

The remote control measures the room temperature and relays the information to the unit. Not only the indoor temperature, but also the temperature around the user is transmitted to the indoor unit through the sensor on the wireless remote control. The indoor unit is operated and adjusted according to the perceived temperature to achieve intelligent temperature control in the room.



# Technical specifications

## Energy Nordic

R32

Full DC Inverter

SCOP 5.1

A+++ / A+++



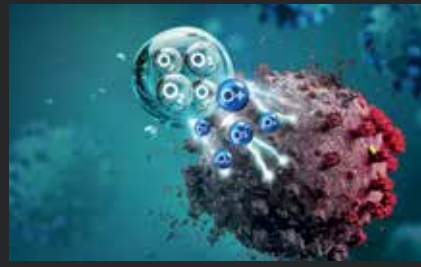
RCH-RTY3 Remote controller



YXE-C01U1(E) Wired controller (optional)



Smart Eye



HI-NANO sterilization



Heating at -25°C

- HI-NANO Sterilization
- 4-in-1 filter & active carbon filter
- Dual Self clean (indoor/outdoor)
- Anti-bacteria Fin
- Anti-mold
- Smart Eye
- TMS Comfort Control System
- AI Smart
- WiFi Control
- Voice Control
- 4D Auto-swing
- Multi Dimensional airflow
- Comfortable Sleep Four Modes
- 18 dB
- Humidity Control
- Timer 24 h
- Super Cool
- 8 °C Heating
- Heating at -25 °C
- Child Lock
- Universal Unit
- Wired Controller optional
- Room card control optional
- Full DC Inverter
- Self-diagnosis
- Outdoor Unit Chasis Heater
- High Energy Efficiency
- Economy mode operation
- Power statistic display

Model		QH35XV0E
Model name	Indoor Unit	QH35XV0EG
	Outdoor Unit	QH35XV0EW
Model code	Indoor Unit	20011354
	Outdoor Unit	20011402
Cooling Capacity	W	3500 (1000-4400)
Rated Input-Cooling	W	790 (180-900)
Rated Current Cooling	A	3.5
Heating Capacity	W	4200 (1600-4800)
Rated Input-Heating	W	980 (300-1280)
Rated Current Heating	A	4.3
Voltage, Frequency, Phase	V - Hz - Ph	220-240V ~ 50Hz, 1P
SEER	Cooling	8.5
SCOP	Heating Average	5.1
SCOP	Heating Warmer	5.6
Energy Class	Cooling	A+++
Energy Class	Heating	A+++
Moisture Removal	L/hour	1.2
<b>Air flow</b>		
Air Circulation (H/HM/M/ML/L/Quiet)	m <sup>3</sup> /h	630/600/560/510/460/410
<b>Noise power/pressure</b>		
Indoor Unit Noise Level - Sound Power	dB (A)	55
Indoor Unit Noise Level - Sound Pressure (H/HM/M/ML/L/Quiet)	dB (A)	38/36/33/32/30/25
Outdoor Unit Noise Level - Sound Power	dB (A)	62
Outdoor Unit Noise Level - Sound Pressure	dB (A)	50
<b>Refrigerant</b>		
Refrigerant	/	R32
Refrigerant charge volume	g	860
<b>Connecting Pipe Diameter</b>		
Liquid Pipe	inch (mm)	1/4 (6.35)
Gas Pipe	inch (mm)	3/8 (9.52)
Max length of pipe	m	20
Max height difference	m	10
<b>Dimensions</b>		
Net Dimensions - Indoor Unit	mm (WxHxD)	883×305×198
Net Dimensions - Outdoor Unit	mm (WxHxD)	810×585×280
Net Weight - Indoor Unit	kg	10
Net Weight - Outdoor Unit	kg	33
Packing Dimensions - Indoor Unit	mm (WxHxD)	980×390×300
Packing Dimensions - Outdoor Unit	mm (WxHxD)	940×630×385
Gross Weight - Indoor Unit	kg	12.5
Gross Weight - Outdoor Unit	kg	37
Loading Capacity (20'/40'/40'HC)	sets	86/180/208
<b>Operating temperature</b>		
Operating Temp Range	Cooling (°C)	-15 °C - 50 °C
	Heating (°C)	-25 °C - 24 °C
<b>Useful area</b>		
Max. useful area*	m <sup>2</sup>	24

\* Usable area depends on the building insulation and potential heat sources in the building.

# Technical specifications

## Energy Pro Plus

R32

Full DC Inverter

SCOP 5.1

A+++ / A+++



RCH-RTY3 Remote controller



YXE-C01U1(E) Wired controller (optional)



Smart Eye



Heating at -22°C



HI-NANO sterilization

- HI-NANO Sterilization
- 4-in-1 filter & active carbon filter
- Dual Self clean (indoor/outdoor)
- Anti-bacteria Fin
- Anti-mold
- Smart Eye
- TMS Comfort Control System
- AI Smart
- WiFi Control
- Voice Control
- 4D Auto-swing
- Multi Dimensional airflow
- Comfortable Sleep Four Modes
- 18 dB
- Humidity Control
- Timer 24 h
- Super Cool
- 8 °C Heating
- Heating at -22 °C
- Child Lock
- Universal Unit
- Wired Controller optional
- Room card control optional
- Full DC Inverter
- Self-diagnosis
- Outdoor Unit Chasis Heater
- High Energy Efficiency
- Economy mode operation
- Power statistic display

Model		QG25XV0E	QG35XV0E
Model name	Indoor Unit	QG25XV0EG	QG35XV0EG
	Outdoor Unit	QG25XV0EW	QG35XV0EW
Model code	Indoor Unit	20009637	20009606
	Outdoor Unit	20009638	20009639
Cooling Capacity	W	2600 (1000-4000)	3500 (1000-4400)
Rated Input-Cooling	W	535 (180-1050)	790 (180-900)
Rated Current Cooling	A	2.5	3.5
Heating Capacity	W	3200 (1600-4200)	4200 (1600-4800)
Rated Input-Heating	W	720 (300-1250)	980 (300-1280)
Rated Current Heating	A	3.2	4.3
Voltage, Frequency, Phase	V - Hz - Ph	220-240V-50Hz-1P	220-240V-50Hz-1P
SEER	Cooling	8.8	8.5
SCOP	Heating	5.1	5.1
Energy Class	Cooling	A+++	A+++
Energy Class	Heating	A+++	A+++
Moisture Removal	L/hour	0.9	1.2
<b>Air flow</b>			
Air Circulation (H/HM/M/ML/L)	m <sup>3</sup> /h	620/590/560/520/480/440	660/630/600/570/520/470
<b>Noise power/pressure</b>			
Indoor Unit Noise Level - Sound Power	dB (A)	53	54
Indoor Unit Noise Level - Sound Pressure (H/HM/M/ML/L/Quiet)	dB (A)	38/35/34/31/29/25	38/36/33/32/30/25
Outdoor Unit Noise Level - Sound Power	dB (A)	60	61
Outdoor Unit Noise Level - Sound Pressure	dB (A)	50	50
<b>Refrigerant</b>			
Refrigerant	/	R32	R32
Refrigerant charge volume	g	860	860
<b>Connecting Pipe Diameter</b>			
Liquid Pipe	inch (mm)	1/4 (6.35)	1/4 (6.35)
Gas Pipe	inch (mm)	3/8 (9.52)	3/8 (9.52)
Max length of pipe	m	20	20
Max height difference	m	10	10
<b>Dimensions</b>			
Net Dimensions - Indoor Unit	mm (WxHxD)	835×305×198	835×305×198
Net Dimensions - Outdoor Unit	mm (WxHxD)	810×585×280	810×585×280
Net Weight - Indoor Unit	kg	10	10
Net Weight - Outdoor Unit	kg	33	33
Packing Dimensions - Indoor Unit	mm (WxHxD)	950×320×320	950×320×320
Packing Dimensions - Outdoor Unit	mm (WxHxD)	940×630×385	940×630×385
Gross Weight - Indoor Unit	kg	12.5	12.5
Gross Weight - Outdoor Unit	kg	37	37
Loading Capacity (20'/40'/40"HC)	sets	86/180/210	86/180/210
<b>Operating temperature</b>			
Operating Temp Range	Cooling (°C)	-15 °C - 50 °C	-15 °C - 50 °C
	Heating (°C)	-22 °C - 24 °C	-22 °C - 24 °C
<b>Useful area</b>			
Max. useful area*	m <sup>2</sup>	14	24

\* Usable area depends on the building insulation and potential heat sources in the building.

# Technical specifications

## Fresh Master

R32 Full DC Inverter SCOP 5.1

A+++ / A+++



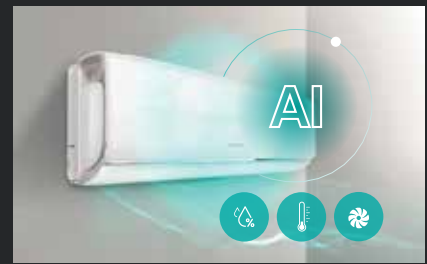
RCH-RTY3 Remote controller



Fresh Air



HI-NANO sterilization



AI smart

- HI-NANO Sterilization
- 4-in-1 filter & active carbon filter
- Dual Self clean (indoor/outdoor)
- Fresh Air
- LED Air quality monitoring
- Air quality LED display
- Anti-bacteria Fin
- Anti-mold
- AI Smart
- WiFi Control
- Voice Control
- Ceiling airflow Floor airflow
- Comfortable Sleep Four Modes
- Dimmer
- Humidity Control
- Light-sensitive
- Multi Dimensional airflow
- Timer 24 h
- 18 dB
- 8 °C Heating
- Heating at -22 °C
- Child Lock
- Full DC Inverter
- Self-diagnosis
- Outdoor Unit Chasis Heater
- High Energy Efficiency
- Economy mode operation
- Power statistic display

Model		QF25XW0E	QF35XW0E
Model name	Indoor Unit	QF25XW0EG	QF35XW0EG
	Outdoor Unit	QF25XW0EW	QF35XW0EW
Model code	Indoor Unit	20004044	20004011
	Outdoor Unit	20006228	20004012
Cooling Capacity	W	2600 (1000-4000)	3500 (1000-4400)
Rated Input-Cooling	W	535 (180-1050)	810 (180-900)
Rated Current Cooling	A	2.4	3.6
Heating Capacity	W	3200 (1600-4200)	4200 (1600-4800)
Rated Input-Heating	W	720 (300-1250)	1040 (300-1280)
Rated Current Heating	A	3.2	4.6
Voltage, Frequency, Phase	V - Hz - Ph	220-240V ~ 50Hz, 1P	220-240V ~ 50Hz, 1P
SEER	Cooling	8.8	8.5
SCOP	Heatling Average	5.1	5.1
SCOP	Heatling Warmer	6.0	5.6
Energy Class	Cooling	A+++	A+++
Energy Class	Heating	A+++	A+++
Moisture Removal	L/hour	0.9	1.2
<b>Air flow</b>			
Air Circulation (H/HM/M/ML/L)	m <sup>3</sup> /h	580/550/500/450/400/350	630/610/560/510/460/410
<b>Noise power/pressure</b>			
Indoor Unit Noise Level - Sound Power	dB (A)	53	54
Indoor Unit Noise Level - Sound Pressure (H/HM/M/ML/L/Quiet)	dB (A)	37/35/33/30/28/26	37/35/33/30/28/26
Outdoor Unit Noise Level - Sound Power	dB (A)	60	62
Outdoor Unit Noise Level - Sound Pressure	dB (A)	50	50
<b>Refrigerant</b>			
Refrigerant	/	R32	R32
Refrigerant charge volume	g	860	860
<b>Connecting Pipe Diameter</b>			
Liquid Pipe	inch (mm)	1/4 (6.35)	1/4 (6.35)
Gas Pipe	inch (mm)	3/8 (9.52)	3/8 (9.52)
Max length of pipe	m	20	20
Max height difference	m	10	10
<b>Dimensions</b>			
Net Dimensions - Indoor Unit	mm (WxHxD)	978×313×217	978×313×217
Net Dimensions - Outdoor Unit	mm (WxHxD)	810×585×280	810×585×280
Net Weight - Indoor Unit	kg	13,5	13,5
Net Weight - Outdoor Unit	kg	33	33
Packing Dimensions - Indoor Unit	mm (WxHxD)	1060×430×400	1060×430×400
Packing Dimensions - Outdoor Unit	mm (WxHxD)	940×630×385	940×630×385
Gross Weight - Indoor Unit	kg	18.5	18.5
Gross Weight - Outdoor Unit	kg	37	37
Loading Capacity (20'/40'/40'HC)	sets	70/142/162	70/142/162
<b>Operating temperature</b>			
Operating Temp Range	Cooling (°C)	-15 °C - 50 °C	-15 °C - 50 °C
	Heating (°C)	-22 °C - 24 °C	-22 °C - 24 °C
<b>Useful area</b>			
Max. useful area*	m <sup>2</sup>	14	24

\* Usable area depends on the building insulation and potential heat sources in the building.

# Technical specifications

## Energy SE

R32 Full DC Inverter SCOP 4.6



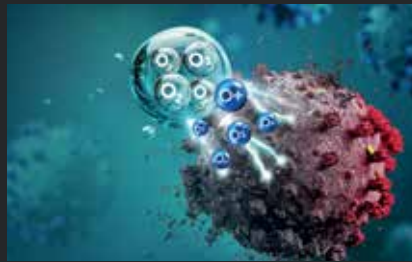
R2-01-1 Remote controller



YXE-C01U1(E) Wired controller (optional)



Heating at -22°C



HI-NANO sterilization



Outdoor unit chassis heater

- HI-NANO Sterilization
- 4 in 1 Filter
- Indoor Self Clean
- Anti-bacteria Fin
- Anti-mold
- Smart Mode
- WiFi Control
- Voice Control
- Comfortable Sleep
- 4D Auto-swing
- 19 dB
- Super Cool
- Dimmer
- Timer 24 h
- 8 °C Heating
- Heating at -22 °C
- Fire-proof PCB box
- Universal Unit
- Wired Controller optional
- Room card control optional
- Full DC Inverter
- Self-diagnosis
- Outdoor Unit Chasis Heater
- High Energy Efficiency
- Economy mode operation
- Power statistic display



Model		KA25MROE	KA35XROE	KA50BSOE	KA70KTOE
Model name	Indoor Unit	KA25MROEG	KA35XROEG	KA50BSOEG	KA70KTOEG
	Outdoor Unit	KA25MROEW	KA35XROEW	KA50BSOEW	KA70KTOEW
Model code	Indoor Unit	20003817	20003818	20003819	20003821
	Outdoor Unit	20003848	20003849	20003850	20003851
Cooling Capacity	W	2600 (800-3200)	3500 (1000-4000)	5000 (1500-6300)	7000 (1600-7800)
Rated Input-Cooling	W	590 (170-1400)	890 (190-1500)	1295 (260-1800)	2000(420-2760)
Rated Current Cooling	A	2.6	4	5.8	8.9
Heating Capacity	W	3000 (800-3300)	3900 (1000-4400)	5400 (1600-6200)	7500 (1800-8000)
Rated Input-Heating	W	720 (170-1500)	1000 (190-1600)	1380 (320-1650)	2100 (395-2850)
Rated Current Heating	A	3.2	4.5	6.2	9.4
Voltage, Frequency, Phase	V - Hz - Ph	220-240V ~ 50Hz, 1P	220-240V ~ 50Hz, 1P	220-240V ~ 50Hz, 1P	220-240V ~ 50Hz, 1P
SEER	Cooling	8.5	8.5	7.8	7.9
SCOP	Heating Average	4.6	4.6	4.6	4.6
SCOP	Heating Warmer	5.2	5.1	5.1	5.1
Energy Class	Cooling	A+++	A+++	A++	A++
Energy Class	Heating	A++	A++	A++	A++
Moisture Removal	L/hour	0.9	1.2	2	2.2
<b>Air flow</b>					
Air Circulation (H/HM/M/ML/L)	m <sup>3</sup> /h	520	580	950	1100
<b>Noise power/pressure</b>					
Indoor Unit Noise Level - Sound Power	dB (A)	56	56	60	63
Indoor Unit Noise Level - Sound Pressure (H/HM/M/ML/L/Quiet)	dB (A)	39/37/35/33/31/25	40/38/35/33/31/26	44/42/39/37/35/31	45/42/40/38/36/32
Outdoor Unit Noise Level - Sound Power	dB (A)	61	62	63	67
Outdoor Unit Noise Level - Sound Pressure	dB (A)	53	54	56	58
<b>Refrigerant</b>					
Refrigerant	/	R32	R32	R32	R32
Refrigerant charge volume	g	750	800	1150	1500
<b>Connecting Pipe Diameter</b>					
Liquid Pipe	inch (mm)	1/4 (6.35)	1/4 (6.35)	1/4 (6.35)	3/8 (9.52)
Gas Pipe	inch (mm)	3/8 (9.52)	3/8 (9.52)	1/2 (12.7)	5/8 (15.87)
Max length of pipe	m	20	20	20	20
Max height difference	m	10	10	15	15
<b>Dimensions</b>					
Net Dimensions - Indoor Unit	mm (WxHxD)	798x256x191	798x256x191	896x300x214	1008x325x217
Net Dimensions - Outdoor Unit	mm (WxHxD)	780x540x260	810x585x280	860x667x310	900x750x340
Net Weight - Indoor Unit	kg	7.5	7.6	10.5	12
Net Weight - Outdoor Unit	kg	28	33	39	49
Packing Dimensions - Indoor Unit	mm (WxHxD)	850x320x260	850x320x260	960x360x300	1120x390x315
Packing Dimensions - Outdoor Unit	mm (WxHxD)	910x600x360	940x630x385	995x720x420	1060x820x450
Gross Weight - Indoor Unit	kg	9.2	9.2	12.5	14.5
Gross Weight - Outdoor Unit	kg	31.5	37	45	54
Loading Capacity (20°/40°/40°HC)	sets	112/222/264	98/198/230	72/140/164	52/108/124
<b>Operating temperature</b>					
Operating Temp Range	Cooling (°C)	-15 °C - 50 °C	-15 °C - 50 °C	-15 °C - 50 °C	-15 °C - 50 °C
	Heating (°C)	-22 °C - 24 °C	-22 °C - 24 °C	-22 °C - 24 °C	-22 °C - 24 °C
<b>Useful area</b>					
Max. useful area*	m <sup>2</sup>	14	24	28	38

\* Usable area depends on the building insulation and potential heat sources in the building.

# Technical specifications

## Hi-Comfort



red dot design award

R32

SCOP 4



R2-01-1 Remote controller



YXE-C01U1(E) Wired controller (optional)



HI-UVC Sterilization



Heating at -20°C



Outdoor unit chassis heater

- HI-UVC sterilization
- 4-in-1 filter & active carbon filter
- Anti-bacteria Fin
- Indoor Self Clean
- Anti-mold
- I Feel
- Smart Mode
- WiFi Control
- Comfortable Sleep Four Modes
- 4D Auto-swing
- 19 dB
- Dimmer
- Timer 24 h
- Super Cool
- 8 °C Heating
- Heating at -20 °C
- Easy Maintenance
- Left/Right Draining
- Universal Unit
- Wired Controller optional
- Room card control optional
- Outdoor Unit Chasis Heater
- Economy mode operation
- LED Hidden Display
- 3 min Protection
- Intelligent Defrost

Model		KE25YR4E	KE35MR0E	KE50BS0E	KE70BT2E
Model name	Indoor Unit	KE25YR4EG	KE35MR0EG	KE50BS0EG	KE70BT2EG
	Outdoor Unit	KE25YR4EW	KE35MR0EW	KE50BS0EW	KE70BT2EW
Model code	Indoor Unit	20011394	20011395	20011396	20011407
	Outdoor Unit	20011382	20011381	20011380	20011379
Cooling Capacity	W	2600 (1000-3000)	3200 (1000-4000)	5000 (1500-6300)	6500 (1600-7200)
Rated Input-Cooling	W	745 (190-1500)	940 (190-1600)	1295 (260-1800)	2060 (420-2760)
Rated Current Cooling	A	3,4	4,2	5,8	9,2
Heating Capacity	W	2700 (1000-3000)	3300 (1000-4200)	5400 (1600-6200)	7100 (1800-7300)
Rated Input-Heating	W	675 (190-1500)	845 (190-1600)	1380 (320-1650)	2150 (395-2700)
Rated Current Heating	A	3,0	3,8	6,2	9,6
Voltage, Frequency, Phase	V - Hz - Ph	220-240V~, 50Hz, 1P	220-240V~, 50Hz, 1P	220-240V~, 50Hz, 1P	220-240V~, 50Hz, 1P
SEER	Cooling	6,3	6,8	7,8	6,2
SCOP	Heating	4	4	4,6	4
Energy Class	Cooling	A++	A++	A++	A++
Energy Class	Heating	A+	A+	A+	A+
Moisture Removal	L/hour	0,9	1,2	2,0	2,2
<b>Air flow</b>					
Air Circulation (H/H-M/M/M-L/L)	m <sup>3</sup> /h	550/500/450/410/370	550/500/450/410/370	950/880/800/770/680	1100/950/880/800/700
<b>Noise power/pressure</b>					
Indoor Unit Noise Level - Sound Power	dB (A)	57	57	60	64
Indoor Unit Noise Level - Sound Pressure	dB (A)	39/37/34/32/29/24	39/37/34/32/30/24	44/42/40/38/36/32	45/42/40/38/35/32
Outdoor Unit Noise Level - Sound Power	dB (A)	62	62	63	65
Outdoor Unit Noise Level - Sound Pressure	dB (A)	51	52	56	56
<b>Refrigerant</b>					
Refrigerant		R32	R32	R32	R32
Refrigerant charge volume	g	480	660	1150	1320
<b>Connecting Pipe Diameter</b>					
Liquid Pipe	inch (mm)	1/4 (6.35)	1/4 (6.35)	1/4 (6.35)	3/8 (9.52)
Gas Pipe	inch (mm)	3/8 (9.52)	3/8 (9.52)	1/2 (12.7)	5/8 (15.88)
Max length of pipe	m	20	20	20	20
Max height difference	m	10	10	15	15
<b>Dimensions</b>					
Net Dimensions - Indoor Unit	mm (WxHxD)	835x256x195	835x256x195	933x300x216	1045x325x220
Net Dimensions - Outdoor Unit	mm (WxHxD)	660x483x240	780x540x260	860x667x310	860x667x310
Net Weight - Indoor Unit	kg	7,7	7,7	10,5	11,5
Net Weight - Outdoor Unit	kg	21,5	25	39	41
Packing Dimensions - Indoor Unit	mm (WxHxD)	890x320x260	890x320x260	995x365x310	1120x390x315
Packing Dimensions - Outdoor Unit	mm (WxHxD)	780x530x315	910x600x360	995x720x420	995x720x420
Gross Weight - Indoor Unit	kg	9,5	9,5	12,5	14
Gross Weight - Outdoor Unit	kg	24	28	45	46
Loading Capacity (20°/40°/40°HC) No Pipe		154/312/352	112/222/264	72/140/164	66/134/154
<b>Operating temperature</b>					
Operating Temp Range	Cooling (°C)	-15 °C - 50 °C	-15 °C - 50 °C	-15 °C - 50 °C	-15 °C - 50 °C
	Heating (°C)	-20 °C - 24 °C	-20 °C - 24 °C	-20 °C - 24 °C	-20 °C - 24 °C
<b>Useful area</b>					
Max. useful area*	m <sup>2</sup>	14	24	28	38

\* Usable area depends on the building insulation and potential heat sources in the building.

# Technical specifications

## Mini Apple Pie

R32

SCOP  
4

R2-01-1  
Remote controller



YXE-C01U1(E)  
Wired controller  
(optional)



HI-UVC Sterilization



Self-Clean



WI-FI Control



HI-UVC  
Sterilization



Carbon Filter



Silver ion Filter



Indoor Self Clean



WiFi Control



Smart Mode



4D Auto-swing



Comfortable  
Sleep



19 dB



Dimmer



Timer 24 h



Super Cool



8 °C Heating



Heating  
at -20 °C



Fire-proof  
PCB box



Universal Unit



Left/Right  
Draining



Wired Controller  
optional



Room card  
control optional



Self-diagnosis



Economy mode  
operation



LED Hidden  
Display



3 min Protection



1W Standby

Model		TG25LE0B	TG35LE0B	TG50XA0B	TG70BB0C
Model name	Indoor Unit	TG25LE0BG	TG35LE0BG	TG50XA0BG	TG70BB0CG
	Outdoor Unit	TG25LE0BW	TG35LE0BW	TG50XA0BW	TG70BB0CW
Model code	Indoor Unit	20011390	20011391	20009623	20009624
	Outdoor Unit	20011386	20011385	20009645	20009646
Cooling Capacity	W	2600 (800-3500)	3500 (1200-4100)	5000 (1000-6000)	7000 (2500-8000)
Rated Input-Cooling	W	740 (180-1500)	1000 (190-1500)	1540 (260-2300)	2230 (420-3000)
Rated Current Cooling	A	3.3	4.4	6.8	9.9
Heating Capacity	W	2800 (800-3500)	4000 (1600-4300)	5600 (1600-6250)	7100 (2500-8500)
Rated Input-Heating	W	700 (180-1500)	1025 (190-1500)	1550 (350-2300)	2240 (420-3200)
Rated Current Heating	A	3.1	4.5	7	9.9
Voltage, Frequency, Phase	V - Hz - Ph	220-240V~50Hz~1P	220-240V~50Hz~1P	220-240V~50Hz~1P	220-240V~50Hz~1P
SEER	Cooling	6.1	6.1	6.1	6.3
SCOP	Heating	4	4	4	4
Energy Class	Cooling	A++	A++	A++	A++
Energy Class	Heating	A+	A+	A+	A+
Moisture Removal	L/hour	0.9	1.2	2.0	2.5
<b>Air flow</b>					
Air Circulation	m <sup>3</sup> /h	550	600	1000	1100
<b>Noise power/pressure</b>					
Indoor Unit Noise Level - Sound Pressure	dB (A)	56	56	60	65
Indoor Unit Noise Level - Sound Power	dB (A)	38/36/33/31/29/26	38/36/34/31/29/27	45/43/41/38/36/33	46/44/42/40/37/33
Outdoor Unit Noise Level - Sound Pressure	dB (A)	63	63	65	68
Outdoor Unit Noise Level - Sound Power	dB (A)	53	53	55	58
<b>Refrigerant</b>					
Refrigerant	/	R32	R32	R32	R32
Refrigerant charge volume	g	590	640	1170	1320
<b>Connecting Pipe Diameter</b>					
Liquid Pipe	inch (mm)	1/4 (6.35)	1/4 (6.35)	1/4 (6.35)	3/8 (9.52)
Gas Pipe	inch (mm)	3/8 (9.52)	3/8 (9.52)	1/2 (12.7)	5/8 (15.87)
Max length of pipe	m	20	20	20	20
Max height difference	m	10	10	15	15
<b>Dimensions</b>					
Net Dimensions - Indoor Unit	mm (WxHxD)	950×272×207	950×272×207	1050×320×235	1219×320×235
Net Dimensions - Outdoor Unit	mm (WxHxD)	660×483×240	660×483×240	810×585×280	860×667×310
Net Weight - Indoor Unit	kg	9	9	12	13
Net Weight - Outdoor Unit	kg	22	23	33	41
Packing Dimensions - Indoor Unit	mm (WxHxD)	1000×335×260	1000×335×260	1118×392×318	1315×392×318
Packing Dimensions - Outdoor Unit	mm (WxHxD)	770×530×315	770×530×315	940×385×630	995×720×420
Gross Weight - Indoor Unit	kg	11	11	15	15.5
Gross Weight - Outdoor Unit	kg	25	26	37	46
Loading Capacity (20'/40'/40'HC)	sets	148/296/332	148/296/332	81/168/184	61/125/144
<b>Operating temperature</b>					
Operating Temp Range	Cooling (°C)	-15 °C - 50 °C	-15 °C - 50 °C	-15 °C - 50 °C	-15 °C - 50 °C
	Heating (°C)	-20 °C - 24 °C	-20 °C - 24 °C	-20 °C - 24 °C	-20 °C - 24 °C
<b>Useful area</b>					
Max. useful area*	m <sup>2</sup>	14	24	28	38

\* Usable area depends on the building insulation and potential heat sources in the building.

# Technical specifications

## New Comfort

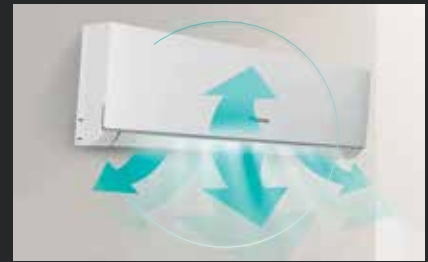
R32

SCOP  
4R2-01  
Remote controllerYXE-C01U1(E)  
Wired controller  
(optional)

Wi-Fi Control



Outdoor unit chassis heater



4D auto swing

4-in-1 filter &  
active carbon  
filter

Indoor Self Clean



Anti-mold



Smart Mode



WiFi Control



4D Auto-swing

Comfortable  
Sleep

19 dB



Dimmer



Timer 24 h



Super Cool



8 °C Heating

Heating  
at -20 °CFire-proof  
PCB box

Universal Unit

Wired Controller  
optionalRoom card  
control optional

Easy Installation

Easy  
MaintenanceLeft/Right  
DrainingOutdoor Unit  
Chasis Heater

Self-diagnosis

Economy mode  
operationLED Hidden  
Display

Note: Outdoor unit chassis heater (Heating belt) is optional.

Model		DJ25LE0E	DJ35LE0E	DJ50XA0E	DJ70BB0E
Model name	Indoor Unit	DJ25LE0EG	DJ35LE0EG	DJ50XA0EG	DJ70BB0EG
	Outdoor Unit	DJ25LE0EW	DJ35LE0EW	DJ50XA0EW	DJ70BB0EW
Model code	Indoor Unit	20011603	20011605	20011617	20011619
	Outdoor Unit	20011604	20011606	20011618	20011620
Cooling Capacity	W	2600 (800-3500)	3500 (1200-4100)	5000 (1000-6000)	7000 (2100-7500)
Rated Input-Cooling	W	735 (180-1500)	1000 (190-1500)	1540 (260-2300)	2230 (350-2800)
Rated Current Cooling	A	3.3	4.4	6.9	9.9
Heating Capacity	W	2800 (800-3500)	4000 (1600-4300)	5600 (1600-6250)	7100 (2100-7800)
Rated Input-Heating	W	680 (180-1500)	1025 (190-1500)	1515 (350-2300)	2150 (340-2930)
Rated Current Heating	A	3.1	4.5	6.8	9.6
Voltage, Frequency, Phase	V - Hz - Ph	220 - 240V~50Hz~1P	220 - 240V~50Hz~1P	220 - 240V~50Hz~1P	220 - 240V~50Hz~1P
SEER	Cooling	6.1	6.1	6.1	6.3
SCOP	Heating	4	4	4	4
Energy Class	Cooling	A++	A++	A++	A++
Energy Class	Heating	A+	A+	A+	A+
Moisture Removal	L/hour	0.9	1.2	2	2.5
<b>Air flow</b>					
Air Circulation	m <sup>3</sup> /h	550	600	1000	1100
<b>Noise power/pressure</b>					
Indoor Unit Noise Level - Sound Pressure	dB (A)	56	56	60	63
Indoor Unit Noise Level - Sound Power	dB (A)	38/36/33/31/29/26	38/36/34/31/29/27	45/43/41/38/36/33	46/44/42/40/37/33
Outdoor Unit Noise Level - Sound Pressure	dB (A)	63	63	63	66
Outdoor Unit Noise Level - Sound Power	dB (A)	54	54	54	56
<b>Refrigerant</b>					
Refrigerant	/	R32	R32	R32	R32
Refrigerant charge volume	g	640	640	1170	1320
<b>Connecting Pipe Diameter</b>					
Liquid Pipe	inch (mm)	1/4 (6.35)	1/4 (6.35)	1/4 (6.35)	3/8 (9.52)
Gas Pipe	inch (mm)	3/8 (9.52)	3/8 (9.52)	1/2 (12.7)	5/8 (15.87)
Max length of pipe	m	20	20	20	20
Max height difference	m	10	10	15	15
<b>Dimensions</b>					
Net Dimensions - Indoor Unit	mm (WxHxD)	815x270x212	815x270x212	915x315x235	1085x315x235
Net Dimensions - Outdoor Unit	mm (WxHxD)	660x483x240	660x483x240	810x585x280	860x667x310
Net Weight - Indoor Unit	kg	8.5	8.5	12	13
Net Weight - Outdoor Unit	kg	22	22.5	33	41
Packing Dimensions - Indoor Unit	mm (WxHxD)	870x335x265	870x335x265	1000x390x315	1170x390x315
Packing Dimensions - Outdoor Unit	mm (WxHxD)	770x530x315	770x530x315	940x630x385	995x720x420
Gross Weight - Indoor Unit	kg	10.5	11	14	15.5
Gross Weight - Outdoor Unit	kg	25.5	26	37	46
Loading Capacity (20'/40'/40'HC)	sets	147/296/356	147/296/356	86/174/197	63/131/150
<b>Operating temperature</b>					
Operating Temp Range	Cooling (°C)	-15 °C - 50 °C	-15 °C - 50 °C	-15 °C - 50 °C	-15 °C - 50 °C
	Heating (°C)	-20 °C - 24 °C	-20 °C - 24 °C	-20 °C - 24 °C	-20 °C - 24 °C
<b>Useful area</b>					
Max. useful area*	m <sup>2</sup>	14	24	28	38

\* Usable area depends on the building insulation and potential heat sources in the building.

# Technical specifications

## Wings Pro

R32

SCOP  
4R2-01-1  
Remote controllerYXE-C01U1(E)  
Wired controller  
(optional)

HI-NANO sterilization



Heating at -20°C



Outdoor unit chasis heater

HI-NANO  
Sterilization4-in-1 filter &  
active carbon  
filter

Anti-bacteria Fin



Indoor Self Clean



Anti-mold



I Feel



Smart Mode



WiFi Control

Comfortable  
Sleep Four Modes

4D Auto-swing



19 dB



Dimmer



Timer 24 h



Super Cool



8 °C Heating

Heating  
at -20 °C

Easy Installation

Easy  
MaintenanceLeft/Right  
DrainingWired Controller  
optionalRoom card  
control optionalOutdoor Unit  
Chasis HeaterEconomy mode  
operationLED Hidden  
Display

3 min Protection

Intelligent  
Defrost



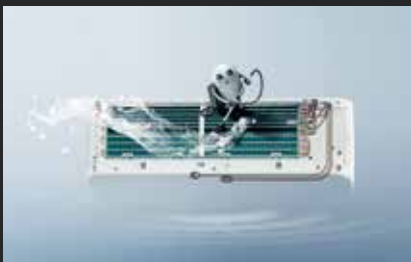
Model		KB25YR3E	KB35YR3E	KB50XS1E	KB70BT1E
Model name	Indoor Unit	KB25YR3EG	KB35YR3EG	KB50XS1EG	KB70BT1EG
	Outdoor Unit	KB25YR3EW	KB35YR3EW	KB50XS1EW	KB70BT1EW
Model code	Indoor Unit	20003826	20003828	20003829	20003830
	Outdoor Unit	20003856	20003857	20003858	20003859
Cooling Capacity	W	2600 (1000-3000)	3400 (1000-4000)	5000 (1000-6000)	6500 (1600-7200)
Rated Input-Cooling	W	855 (190-1500)	1140 (190-1600)	1540 (260-2300)	2060 (420-2760)
Rated Current Cooling	A	3,9	5	6,9	9,2
Heating Capacity	W	2700 (1000-3000)	3800 (1000-4200)	5600 (1600-6250)	7100 (1800-7300)
Rated Input-Heating	W	700 (190-1500)	1050 (190-1600)	1550 (350-2300)	2150 (395-2700)
Rated Current Heating	A	3,1	4,7	7	9,6
Voltage, Frequency, Phase	V - Hz - Ph	220-240V~, 50Hz, 1P	220-240V~, 50Hz, 1P	220-240V~, 50Hz, 1P	220-240V~, 50Hz, 1P
SEER	Cooling	6,1	6,1	6,1	6,2
SCOP	Heating Average	4	4	4	4
SCOP	Heating Warmer	5,1	5,1	5,1	5,1
Energy Class	Cooling	A++	A++	A++	A++
Energy Class	Heating	A+	A+	A+	A+
Moisture Removal	L/hour	0,9	1,2	2,0	2,2
<b>Air flow</b>					
Air Circulation (H/HM/M/ML/L)	m <sup>3</sup> /h	550	550	880	1100
<b>Noise power/pressure</b>					
Indoor Unit Noise Level - Sound Power	dB (A)	56	56	59	64
Indoor Unit Noise Level - Sound Pressure (H/M-H/M/M-L/L/Quiet)	dB (A)	39/37/34/32/29/24	39/37/34/32/30/24	44/42/40/37/36/31	45/42/40/38/35/32
Outdoor Unit Noise Level - Sound Power	dB (A)	62	62	63	65
Outdoor Unit Noise Level - Sound Pressure	dB (A)	52	52	53	56
<b>Refrigerant</b>					
Refrigerant	/	R32	R32	R32	R32
Refrigerant charge volume	g	460	580	1150	1320
<b>Connecting Pipe Diameter</b>					
Liquid Pipe	inch (mm)	1/4 (6.35)	1/4 (6.35)	1/4 (6.35)	3/8 (9.52)
Gas Pipe	inch (mm)	3/8 (9.52)	3/8 (9.52)	1/2 (12.7)	5/8 (15.87)
Max length of pipe	m	20	20	20	20
Max height difference	m	10	10	15	15
<b>Dimensions</b>					
Net Dimensions - Indoor Unit	mm (WxHxD)	833×256×203	833×256×203	943×300×245	1039×325×237
Net Dimensions - Outdoor Unit	mm (WxHxD)	660×483×240	660×483×240	810×585×280	860×667×310
Net Weight - Indoor Unit	kg	7,7	7,7	10	11,0
Net Weight - Outdoor Unit	kg	21,7	22	34	41
Packing Dimensions - Indoor Unit	mm (WxHxD)	890×320×260	890×320×260	995×365×310	1120×390×315
Packing Dimensions - Outdoor Unit	mm (WxHxD)	780×530×315	780×530×315	940×630×385	995×720×420
Gross Weight - Indoor Unit	kg	9,5	9,5	12	13,5
Gross Weight - Outdoor Unit	kg	25	25	38,5	46
Loading Capacity (20°/40°/40°HC)	sets	150/310/342	150/310/342	86/178/202	66/134/152
<b>Operating temperature</b>					
Operating Temp Range	Cooling (°C)	-15 °C - 50 °C	-15 °C - 50 °C	-15 °C - 50 °C	-15 °C - 50 °C
	Heating (°C)	-20 °C - 24 °C	-20 °C - 24 °C	-20 °C - 24 °C	-20 °C - 24 °C
<b>Useful area</b>					
Max. useful area*	m <sup>2</sup>	14	24	28	38

\* Usable area depends on the building insulation and potential heat sources in the building.

# Technical specifications

## Wings

R32

SCOP  
4R2-01  
Remote controllerYXE-C01U1(E)  
Wired controller  
(optional)

Self-Clean



Cold Plasma Generator



Wi-Fi Control



Carbon Filter



4 in 1 Filter

Cold Plasma  
Generator

Anti-bacteria Fin



WiFi Control



Voice Control



I Feel



Smart Mode

Comfortable  
Sleep

19 dB



Dimmer



Timer 24 h



Super Cool



8 °C Heating

Heating  
at -20 °C

Easy Installation

Easy  
MaintenanceLeft/Right  
DrainingWired Controller  
optionalRoom card  
control optionalEconomy mode  
operation

3 min Protection

Intelligent  
DefrostLED Hidden  
Display

Note: WINGS PRO includes HI-NANO and Outdoor unit chasis heater (Heating belt) features, without Active carbon filter and cold plasma generator.

Model		KB25YR3F	KB35YR3F	KB50XS1F	KB70BT1F
Model name	Indoor Unit	KB25YR3FG	KB35YR3FG	KB50XS1FG	KB70BT1FG
	Outdoor Unit	KB25YR3FW	KB35YR3FW	KB50XS1FW	KB70BT1FW
Model code	Indoor Unit	20003831	20003832	20003833	20003834
	Outdoor Unit	20003860	20003861	20003862	20003863
Cooling Capacity	W	2600 (1000-3000)	3400 (1000-4000)	5000 (1000-6000)	6500 (1600-7200)
Rated Input-Cooling	W	855 (190-1500)	1140 (190-1600)	1540 (260-2300)	2060 (420-2760)
Rated Current Cooling	A	3.9	5	6.9	9.2
Heating Capacity	W	2700 (1000-3000)	3800 (1000-4200)	5600 (1600-6250)	7100 (1800-7300)
Rated Input-Heating	W	700 (190-1500)	1050 (190-1600)	1550 (350-2300)	2150 (395-2700)
Rated Current Heating	A	3.1	4.7	7	9.6
Voltage, Frequency, Phase	V - Hz - Ph	220-240V ~ 50Hz, 1P	220-240V ~ 50Hz, 1P	220-240V ~ 50Hz, 1P	220-240V ~ 50Hz, 1P
SEER	Cooling	6.1	6.1	6.1	6.2
SCOP	Heating Average	4	4	4	4
SCOP	Heating Warmer	5.1	5.1	5.1	5.1
Energy Class	Cooling	A++	A++	A++	A++
Energy Class	Heating	A+	A+	A+	A+
Moisture Removal	L/hour	0.9	1.2	2	2.2
<b>Air flow</b>					
Air Circulation (H/HM/M/ML/L)	m <sup>3</sup> /h	550	550	880	1100
<b>Noise power/pressure</b>					
Indoor Unit Noise Level - Sound Power	dB (A)	56	56	59	63
Indoor Unit Noise Level - Sound Pressure (H/HM/M/ML/L/Quiet)	dB (A)	39/37/34/32/29/24	39/37/34/32/30/24	44/42/40/37/36/31	45/42/40/38/35/32
Outdoor Unit Noise Level - Sound Power	dB (A)	62	62	63	65
Outdoor Unit Noise Level - Sound Pressure	dB (A)	52	52	53	55
<b>Refrigerant</b>					
Refrigerant	/	R32	R32	R32	R32
Refrigerant charge volume	g	460	580	1150	1320
<b>Connecting Pipe Diameter</b>					
Liquid Pipe	inch (mm)	1/4 (6.35)	1/4 (6.35)	1/4 (6.35)	3/8 (9.52)
Gas Pipe	inch (mm)	3/8 (9.52)	3/8 (9.52)	1/2 (12.7)	5/8 (15.87)
Max length of pipe	m	20	20	20	20
Max height difference	m	10	10	15	15
<b>Dimensions</b>					
Net Dimensions - Indoor Unit	mm (WxHxD)	833×256×203	833×256×203	943×300×245	1032×327×227
Net Dimensions - Outdoor Unit	mm (WxHxD)	660×483×240	660×483×240	810×585×280	860×667×310
Net Weight - Indoor Unit	kg	7.7	7.7	10	11
Net Weight - Outdoor Unit	kg	21.7	22	34	42
Packing Dimensions - Indoor Unit	mm (WxHxD)	890×320×260	890×320×260	995×365×310	1120×390×315
Packing Dimensions - Outdoor Unit	mm (WxHxD)	780×530×315	780×530×315	940×630×385	995×720×420
Gross Weight - Indoor Unit	kg	9.5	9.5	12	13.5
Gross Weight - Outdoor Unit	kg	25	25	38.5	46
Loading Capacity (20°/40°/40°HC)	sets	150/310/342	150/310/342	86/178/202	66/134/152
<b>Operating temperature</b>					
Operating Temp Range	Cooling (°C)	-15 °C - 50 °C	-15 °C - 50 °C	-15 °C - 50 °C	-15 °C - 50 °C
	Heating (°C)	-20 °C - 24 °C	-20 °C - 24 °C	-20 °C - 24 °C	-20 °C - 24 °C
<b>Useful area</b>					
Max. useful area*	m <sup>2</sup>	14	24	28	38

\* Usable area depends on the building insulation and potential heat sources in the building.

# Technical specifications

## Expert Smart

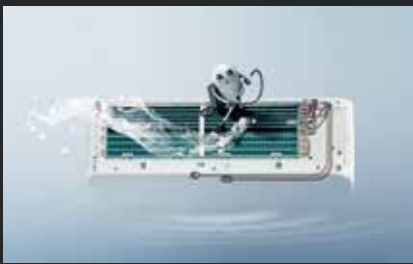
R32

SCOP  
4

LI-12  
Remote controller



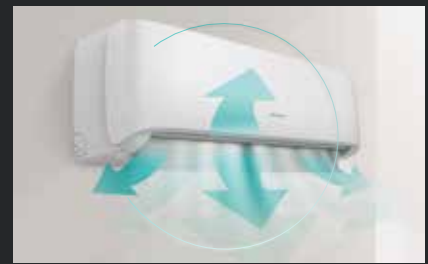
YXE-C01U1(E)  
Wired controller  
(optional)



Self-Clean



Wi-Fi Control



4D auto swing



Indoor Self Clean



Carbon Filter



Anti-bacteria Fin



Anti-mold



I Feel



Smart Mode



WiFi Control



Comfortable  
Sleep Four Modes



4D Auto-swing



19 dB



Dimmer



Timer 24 h



Super Cool



8 °C Heating



Heating  
at -20 °C



Easy Installation



Easy  
Maintenance



Left/Right  
Draining



Wired Controller  
optional



Room card  
control optional



Economy mode  
operation



LED Hidden  
Display



3 min Protection



Intelligent  
Defrost

Model		CF25YRIF	CF35YRIF	CF50XSIF	CF70BTIF
Model name	Indoor Unit	CF25YRIFG	CF35YRIFG	CF50XSIFG	CF70BTIFG
	Outdoor Unit	CF25YRIFW	CF35YRIFW	CF50XSIFW	CF70BTIFW
Model code	Indoor Unit	20009628	20009629	20009695	20009631
	Outdoor Unit	20009647	20009648	20009649	20009650
Cooling Capacity	W	2600 (1000-3000)	3400 (1000-4000)	5000 (1000-6000)	6500 (1600-7200)
Rated Input-Cooling	W	855 (190-1500)	1140 (190-1600)	1540 (260-2300)	2060 (420-2760)
Rated Current Cooling	A	3,9	5	6,9	9,2
Heating Capacity	W	2700 (1000-3000)	3800 (1000-4200)	5600 (1600-6250)	7100 (1800-7300)
Rated Input-Heating	W	680 (180-1500)	1025 (190-1500)	1550 (350-2300)	2240 (420-3200)
Rated Current Heating	A	3,1	4,7	7	9,6
Voltage, Frequency, Phase	V - Hz - Ph	220-240V~, 50Hz, 1P	220-240V~, 50Hz, 1P	220-240V~, 50Hz, 1P	220-240V~, 50Hz, 1P
SEER	Cooling	6,1	6,1	6,1	6,2
SCOP	Heating	4	4	4	4
Energy Class	Cooling	A++	A++	A++	A++
Energy Class	Heating	A+	A+	A+	A+
Moisture Removal	L/hour	0,9	1,2	2,0	2,2
<b>Air flow</b>					
Air Circulation	m <sup>3</sup> /h	550	550	880	1100
<b>Noise power/pressure</b>					
Indoor Unit Noise Level - Sound Pressure	dB (A)	56	56	59	64
Indoor Unit Noise Level - Sound Power	dB (A)	39/37/34/32/29/24	39/37/34/32/30/24	44/42/40/37/36/31	45/42/40/38/35/32
Outdoor Unit Noise Level - Sound Pressure	dB (A)	62	62	63	65
Outdoor Unit Noise Level - Sound Power	dB (A)	52	52	53	56
<b>Refrigerant</b>					
Refrigerant	/	R32	R32	R32	R32
Refrigerant charge volume	g	460	580	1150	1320
<b>Connecting Pipe Diameter</b>					
Liquid Pipe	inch (mm)	1/4 (6.35)	1/4 (6.35)	1/4 (6.35)	3/8 (9.52)
Gas Pipe	inch (mm)	3/8 (9.52)	3/8 (9.52)	1/2 (12.7)	5/8 (15.87)
Max length of pipe	m	20	20	20	20
Max height difference	m	10	10	15	15
<b>Dimensions</b>					
Net Dimensions - Indoor Unit	mm (WxHxD)	795x255x197	795x255x197	890x300x223	998x325x225
Net Dimensions - Outdoor Unit	mm (WxHxD)	660x483x240	660x483x240	810x585x280	860x667x310
Net Weight - Indoor Unit	kg	7,1	7,1	10	11,0
Net Weight - Outdoor Unit	kg	21,7	22	34	41
Packing Dimensions - Indoor Unit	mm (WxHxD)	850x320x260	850x320x260	960x365x300	1060x390x315
Packing Dimensions - Outdoor Unit	mm (WxHxD)	780x530x315	780x530x315	940x630x385	995x720x420
Gross Weight - Indoor Unit	kg	8,6	8,6	12	13,5
Gross Weight - Outdoor Unit	kg	25	25	38,5	46
<b>Operating temperature</b>					
Operating Temp Range	Cooling (°C)	-15 °C - 50 °C	-15 °C - 50 °C	-15 °C - 50 °C	-15 °C - 50 °C
	Heating (°C)	-20 °C - 24 °C	-20 °C - 24 °C	-20 °C - 24 °C	-20 °C - 24 °C
<b>Useful area</b>					
Max. useful area*	m <sup>2</sup>	14	24	28	38

\* Usable area depends on the building insulation and potential heat sources in the building.

# Technical specifications

## Easy Smart

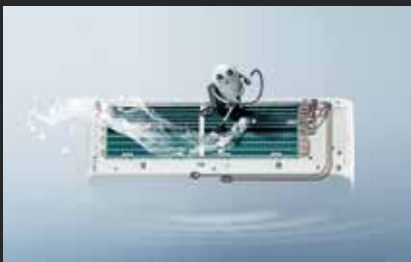
R32

SCOP  
4

LI-12  
Remote controller



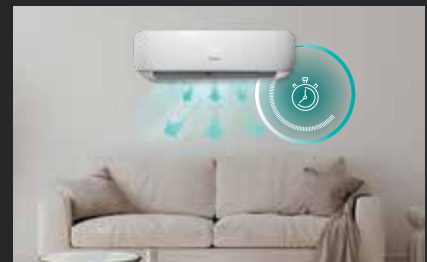
YXE-C01U1(E)  
Wired controller  
(optional)



Self-Clean



Anti-bacteria fin



Super Cool



Indoor Self Clean



Carbon Filter



Anti-bacteria Fin



Anti-mold



I Feel



Smart Mode



Wifi Ready



Comfortable  
Sleep Four Modes



19 dB



Dimmer



Timer 24 h



Super Cool



8 °C Heating



Heating at -20 °C



Easy Installation



Easy  
Maintenance



Left/Right  
Draining



Wired Controller  
optional



Room card  
control optional



Economy mode  
operation



LED Hidden  
Display



3 min Protection



1W Standby

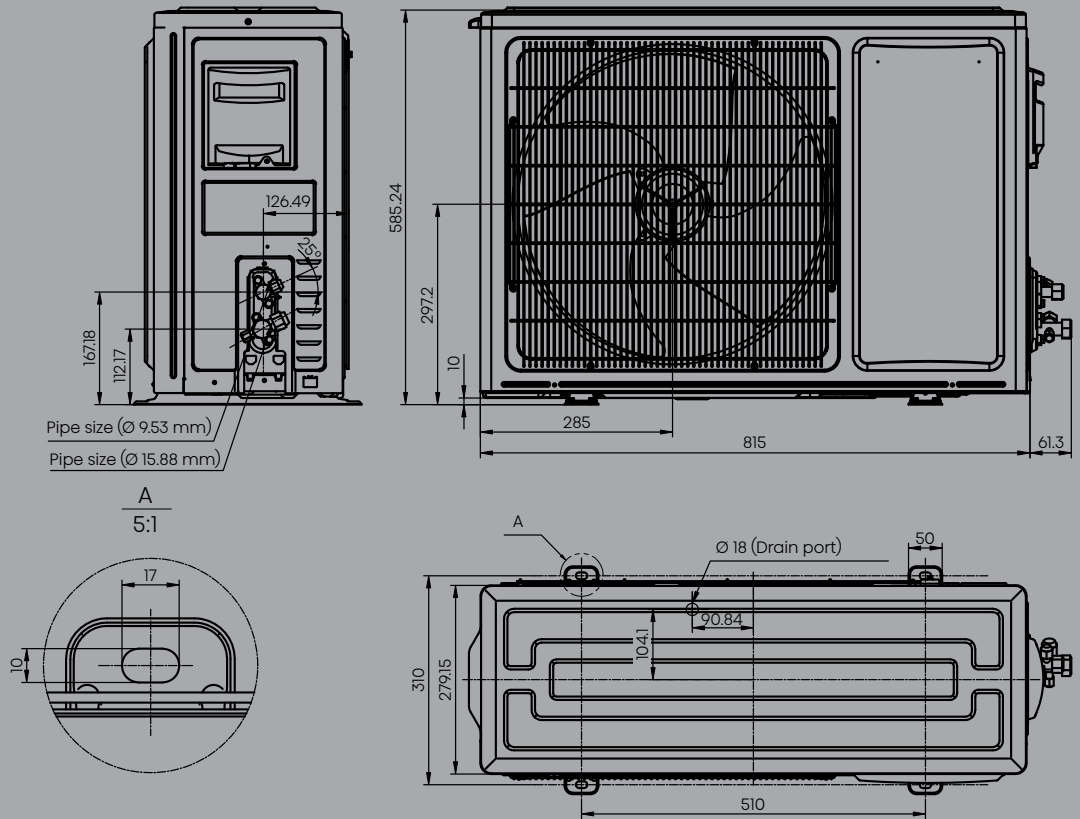
Model		CA25YR03	CA35YR03	CA50XSIA	CA70BTIA
Model name	Indoor Unit	CA25YR03G	CA35YR03G	CA50XSIAG	CA70BTIAG
	Outdoor Unit	CA25YR03W	CA35YR03W	CA50XSIAW	CA70BTIAW
Model code	Indoor Unit	20003835	20003836	20001403	20001422
	Outdoor Unit	20003864	20003865	20001432	20001433
Cooling Capacity	W	2600 (1000-3000)	3400 (1000-4000)	5000 (1000-6000)	6500 (1600-7200)
Rated Input-Cooling	W	855 (190-1500)	1140 (190-1600)	1540 (260-2300)	2060 (420-2760)
Rated Current Cooling	A	3.9	5	6.9	9.2
Heating Capacity	W	2700 (1000-3000)	3800 (1000-4200)	5600 (1600-6250)	7100 (1800-7300)
Rated Input-Heating	W	700 (190-1500)	1050 (190-1600)	1550 (350-2300)	2150 (395-2700)
Rated Current Heating	A	3.1	4.7	7	9.3
Voltage, Frequency, Phase	V - Hz - Ph	220-240V~50Hz~1P	220-240V~50Hz~1P	220-240V~50Hz~1P	220-240V~50Hz~1P
SEER	Cooling	6.1	6.1	6.1	6.2
SCOP	Heating	4	4	4	4
Energy Class	Cooling	A++	A++	A++	A++
Energy Class	Heating	A+	A+	A+	A+
Moisture Removal	L/hour	0.9	1.2	2.0	2.2
<b>Air flow</b>					
Air Circulation	m <sup>3</sup> /h	550	550	880	1100
<b>Noise power/pressure</b>					
Indoor Unit Noise Level - Sound Power	dB (A)	56	56	59	64
Indoor Unit Noise Level - Sound Pressure (H/HM/M/ML/L/Quiet)	dB (A)	39/37/34/32/29/24	39/37/34/32/30/24	44/42/40/37/36/31	45/42/40/38/35/32
Outdoor Unit Noise Level - Sound Power	dB (A)	62	62	63	65
Outdoor Unit Noise Level - Sound Pressure	dB (A)	52	52	53	56
<b>Refrigerant</b>					
Refrigerant	/	R32	R32	R32	R32
Refrigerant charge volume	g	460	580	1150	1320
<b>Connecting Pipe Diameter</b>					
Liquid Pipe	inch (mm)	1/4 (6.35)	1/4 (6.35)	1/4 (6.35)	3/8 (9.52)
Gas Pipe	inch (mm)	3/8 (9.52)	3/8 (9.52)	1/2 (12.7)	5/8 (15.87)
Max length of pipe	m	20	20	20	20
Max height difference	m	10	10	15	15
<b>Dimensions</b>					
Net Dimensions - Indoor Unit	mm (WxHxD)	790×255×200	790×255×200	890×300×220	998×325×225
Net Dimensions - Outdoor Unit	mm (WxHxD)	660×483×240	660×483×240	810×585×280	860×667×310
Net Weight - Indoor Unit	kg	7.1	7.1	10	11.0
Net Weight - Outdoor Unit	kg	21.7	22	34	41
Packing Dimensions - Indoor Unit	mm (WxHxD)	850×325×255	850×325×255	960×365×300	1060×390×315
Packing Dimensions - Outdoor Unit	mm (WxHxD)	780×530×315	780×530×315	940×630×385	995×720×420
Gross Weight - Indoor Unit	kg	8.6	8.6	12	13.5
Gross Weight - Outdoor Unit	kg	25	25	38.5	46
Loading Capacity (20'/40'/40'HC) No Pipe	sets	158/316/352	158/316/352	88/182/208	66/136/157
<b>Operating temperature</b>					
Operating Temp Range	Cooling (°C)	-15 °C - 50 °C	-15 °C - 50 °C	-15 °C - 50 °C	-15 °C - 50 °C
	Heating (°C)	-20 °C - 24 °C	-20 °C - 24 °C	-20 °C - 24 °C	-20 °C - 24 °C
<b>Useful area</b>					
Max. useful area*	m <sup>2</sup>	14	24	28	38

\* Usable area depends on the building insulation and potential heat sources in the building.

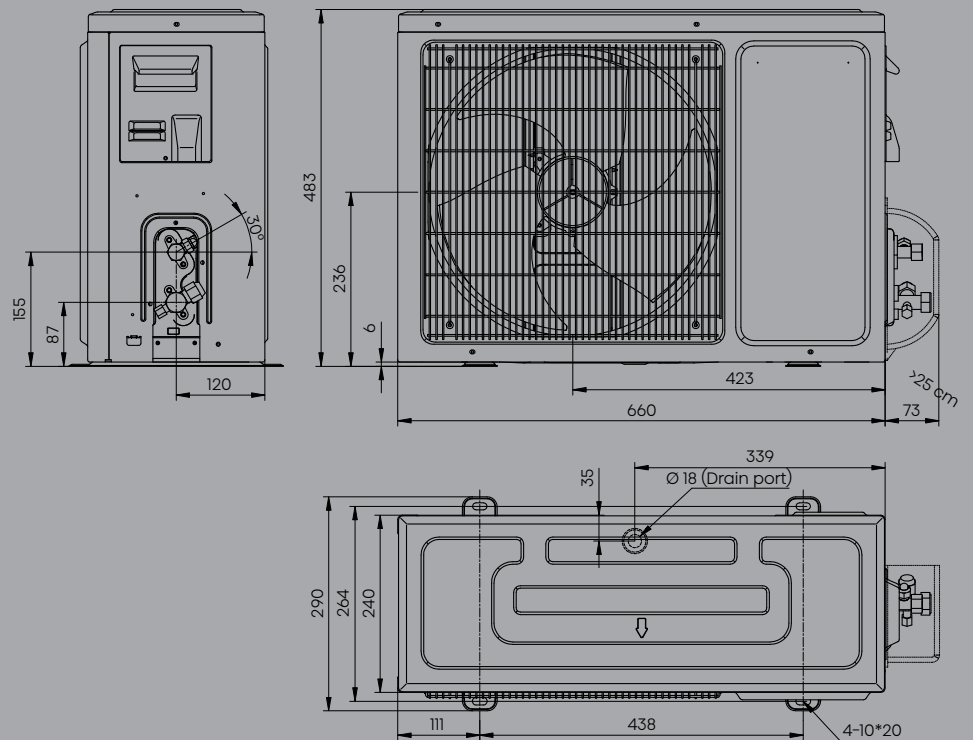
# Installation Drawings

## Split outdoor units

QH35XV0EW  
 QG25XV0EW  
 QG35XV0EW  
 QF25XW0EW  
 QF35XW0EW  
 KA35XR0EW  
 TG50XA0EW  
 TG50XA0BW  
 DJ50XA0BW  
 DJ50XA0EW  
 KB50XS1EW  
 KB50XS1FW  
 CF50XS1FW  
 CA50XS1AW

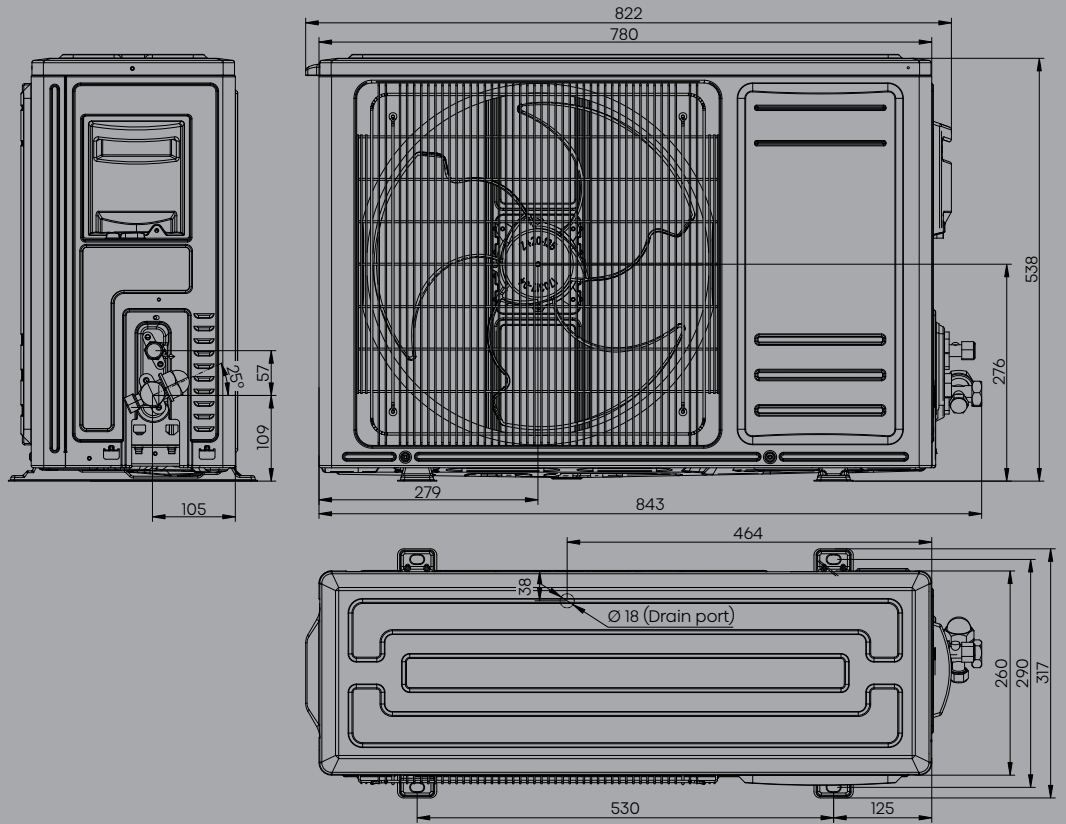


KE25YR4EW  
 KB25YR3EW  
 KB35YR3EW  
 KB25YR3FW  
 KB35YR3FW  
 CF25YR1FW  
 CA25YR03W  
 CA35YR03W  
 CF35YR1FW

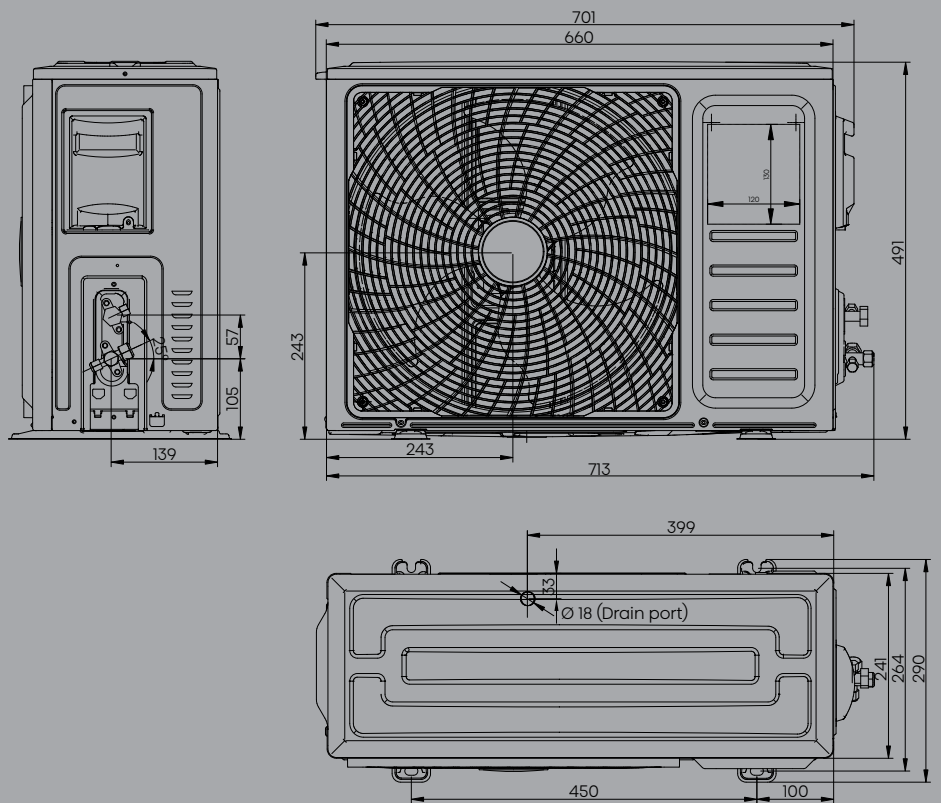




KA25MROEW  
KE35MROEW



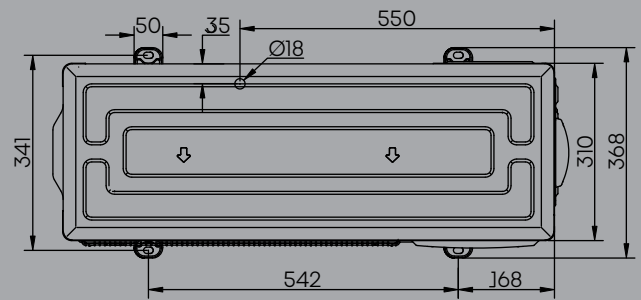
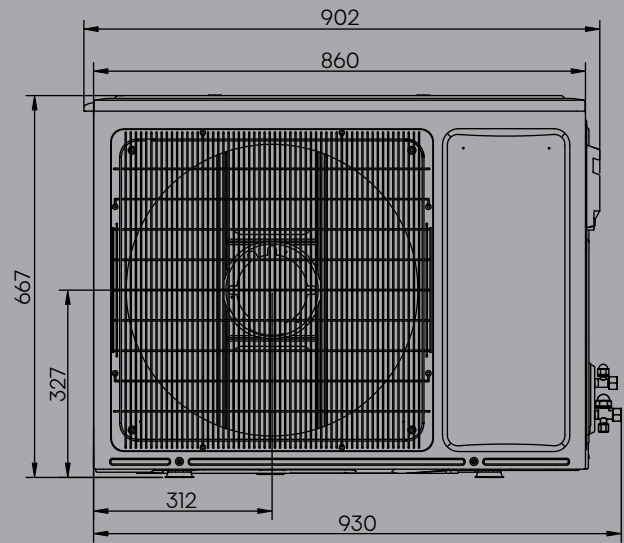
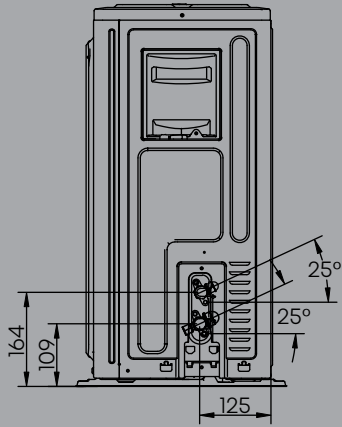
TG25LE0EW  
TG35LE0EW  
TG25LE0BW  
TG35LE0BW  
DJ25LE0BW  
DJ35LE0BW  
DJ25LE0EW  
DJ35LE0EW



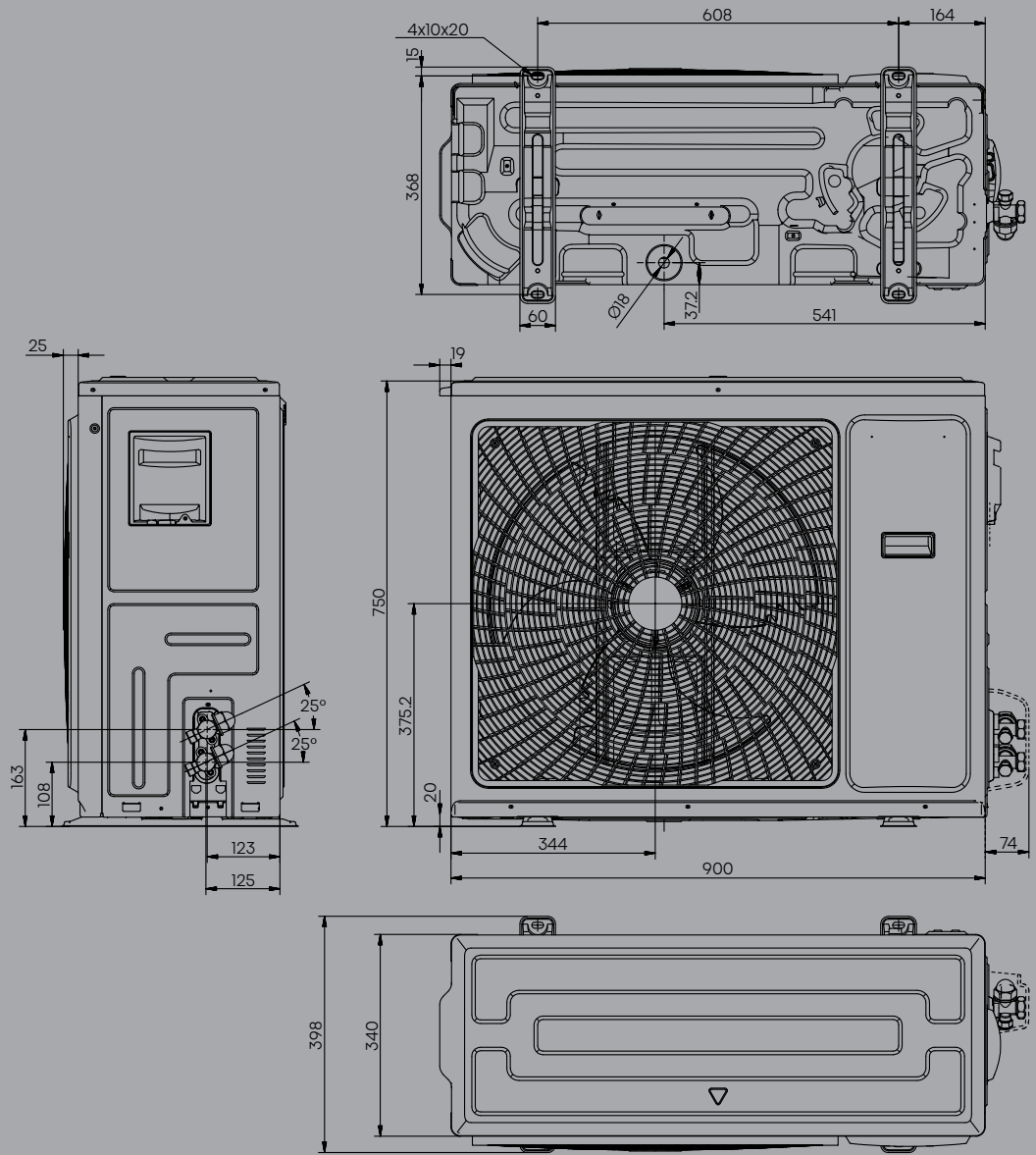
# Installation Drawings

## Split outdoor units

KA50BS0EW  
 TG70BB0CW  
 DJ70BB0CW  
 DJ70BB0EW  
 KE50BS0EW  
 KE70BT2EW  
 KB70BT1EW  
 KB70BT1FW  
 CA70BT1AW



KA70KTOEW



# Technical specifications

Series Name	Energy Nordic	Energy Pro Plus	Fresh Master	Energy SE	Hi-Comfort
<b>Comfortable</b>					
Verticle&Horizontal auto-swing	•	•	•	•	•
Sleep Modes	4	4	4	1	1
Turbo Super Cool/Heat	•	•	•	•	•
Quiet mode (Sound pressure)	16dB(A)	18dB(A)	18dB(A)	19dB(A)	19dB(A)
I feel	•	•	•	•	•
<b>Convenient</b>					
Dual Self-cleaning (Indoor+Outdoor units)	•	•	•	—	—
Self-Cleaning (Indoor unit)	—	—	—	•	•
Mildew-proof	•	•	•	•	•
8 °C Heating	•	•	•	•	•
Timer 24h	•	•	•	•	•
Dimmer	•	•	•	•	•
Easy installation	—	—	—	—	—
Easy maintenance	—	—	—	•	•
Service checker	•	•	•	•	•
LCAC Wired controller (multi split)	•	•	•	•	•
Dual Drainage	—	•	—	•	•
<b>Health</b>					
Hi-NANO	•	•	•	•	—
Hi-UVC sterilization	—	—	—	—	•
Cold plasma Generator	—	—	—	—	—
Fresh Air	—	—	•	—	—
Air Quality Indicator	—	—	•	—	—
4 in 1 filter: vitamine C + catechin + sliver + HEPA	—	•	•	•	•
Filter of carbon	—	•	•	•*	•
Silver ion filter	—	—	—	—	—
<b>Intelligent</b>					
Wifi Function	•	•	•	•	•
Smart Voice Control	•	•	•	•	•
Smart Eye	•	•	—	—	—
TMS Comfort Control System	•	•	•	—	—
AI SMART	•	•	•	—	—
SMART MODE	•	•	•	•	•
Power statistic display	•	•	•	•	—
<b>Reliability</b>					
Multi Anti-corrosion Treatment	•	•	•	•	•
Self-diagnosis Protection	•	•	•	•	•
Anti-bacteria fin	•	•	•	•	•
<b>Technology</b>					
On/off function, room card/fire alarm	•	•	•	•	•
Outdoor unit chassis heating	•	•	•	•	•
360 Full DC inverter (DC compressor+ 2 DC fan motors)	•	•	•	•	—
Electronic expansion valve	•	•	•	•	—
Universal unit (for indoor)	•	•	—	•	•
Minimum temp for heating	-22°C	-22°C	-22°C	-22°C	-20°C
1W Standby	1W	1W	1W	1W	1W

- YES
- NO

Mini Apple Pie	New Comfort	Wings Pro	Wings	Expert Smart	Easy Smart
•	•	•	•	•	—
1	1	1	1	4	4
•	•	•	•	•	•
19dB(A)	19dB(A)	19dB(A)	19dB(A)	19dB(A)	19dB(A)
•	•	•	•	•	•
—	—	—	—	—	—
•	•	•	•	•	•
•	•	•	•	•	•
•	•	•	•	•	•
•	•	•	•	•	•
•	•	•	•	•	•
—	•	—	—	—	—
•	•	•	•	•	•
•	•	•	•	•	•
•	•	•	•	•	•
—	—	•	—	—	—
•	—	—	—	—	—
—	—	—	•	—	—
—	—	—	—	—	—
—	—	—	—	—	—
—	•	•	•	—	—
•	•	—	•	•	•
•	—	—	—	—	—
•	•	•	•	•	Only Wifi Ready
•	•	•	•	•	—
—	—	—	—	—	—
—	—	—	—	—	—
—	—	—	—	—	—
•	•	•	•	•	•
—	—	—	—	—	—
•	•	•	•	•	•
•	•	•	•	•	•
•	•	•	•	•	•
•	•	•	•	•	•
—	•	•	—	—	—
—	—	•	•	•	•
—	—	—	—	—	—
•	•	—	—	—	—
-20°C	-20°C	-20°C	-20°C	-20°C	-20°C
1W	1W	1W	1W	1W	1W





## 03 | PORTABLE AIR CONDITIONERS

# Line up and main features



Q series

2600 W  
SPC09    3500 W  
SPC12



C series

3500 W  
APC12QC  
APH12QC



J series

2600 W  
APC09    3000 W  
APH09



V series

2050 W  
VAPC07    2490 W  
VAPC09



## Enjoy 3-in-1 solution

### Multi-function

Hisense portable air conditioner is more than just an air conditioner. It can also be used as fan in hot summer days or dehumidifier in wet areas of your home. This 3-in-1 solution (AC + Fan + Dehumidifier) saves you money and living space.





## Cool anytime

### Super Cool

Powerful air conditioner with high cooling capacity and strong air circulation, thus it will provide cool ambient anywhere and comfortable summer experience.

## Intelligent and convenient

### Smart Mode

Smart mode automatically set the operation mode according to the ambient temperature, such as Cooling, Heating, Humidification and Fan, which is intelligent and convenient.



## Enjoy the coolness where you like

### 4 Casters for Easy Moving

4 casters makes it easy to move, exactly wherever you need it, thus moving cool air and refreshing the whole room or even apartment.

## Even for the most sensitive ears

### Quiet Mode

By pressing the "silent" button on control panel, you will reduce the noise for 5 dB. Very useful in the night time, meeting rooms or in the childrens rooms.



# Portable – Q Series

R290



J1-91  
Remote controller



Multi-function



Auto Evaporative System



WIFI Control



Anti-bacteria Fin



I Feel



Smart Mode



WiFi control



Comfortable Sleep



Dehumidify



Quiet Mode



Timer 24 h



Super Cool



Auto-swing



Super Airflow  
5.5m distance



User Friendly  
Control & Display



Display Friendly



Remote control



Window kit



Self-diagnosis



New gas  
NO F-Gas Cost



4 Casters for  
Easy Moving



Cross flow fan

Model		SPC09	SPC12
Model Code		20009655	20009656
Type		T1, Cooling Only	T1, Cooling Only
<b>Ratings</b>			
Cooling Capacity	W	2600	3500
Heating Capacity	W	-	-
Moisture Removal	L/H.r	1	1,3
Air Circulation (H/M/L)	m <sup>3</sup> /h	240/220/200	370/340/310
EER for Cooling	W/W	2,60	2,61
COP for Cooling	W/W	-	-
Energy Class	Cooling	A	A
Refrigerant		R290	R290
Refrigerant charge volume	g	220	275
Indoor Unit Noise Level (Sound Pressure)	High (dB (A))	50	52
	Mid (dB (A))	49	51
	Low (dB (A))	48	50
Indoor Unit Noise Level (Sound Power)	High (dB (A))	60	64
<b>Power Supply</b>			
Voltage, Frequency, Phase	V	220~240V~, 50Hz, 1P	220~240V~, 50Hz, 1P
Rated Current	Cooling (A)	4,3	5,9
	Heating (A)	/	/
<b>Features</b>			
Unit Control type		Electronic	Electronic
Fan Control		Button	Button
Thermostat Control		Button	Button
Display Type		LED	LED
Sleep Mode		Yes(on the controller)	Yes(on the controller)
Dry Mode (auto speed only)		Yes	Yes
Water Full Indicator		Yes	Yes
Auto Cool (auto fan in cooling)		Yes(on the controller)	Yes(on the controller)
Smart Mode (remote access)		Yes(on the controller)	Yes(on the controller)
Rapid Cool(Jet) Mode (lowest temp & high speed) - remote only		Yes(on the controller)	Yes(on the controller)
Fan Only		Yes - 3 Speed	Yes - 3 Speed
Cooling Speed Selections		3	3
Timer- (24 Hr On/Off)		Yes- (24 Hr on/off - 1 minutes Increments up to 24 Hrs)	Yes- (24 Hr on/off - 1 minutes Increments up to 24 Hrs)
Clock		Yes(on the controller)	Yes(on the controller)
Air Swing (Motorized - Upward & Downward Motion)		Yes	Yes
Auto-Restart		Yes	Yes
Fahrenheit to Celsius function		Yes	Yes
Vent System		Single Duct	Single Duct
<b>Dimensions</b>			
Net Dimensions	(mm) WxHxD	442X729X320	442X729X365
Net Weight	(kg)	33	32
Packing Dimensions	(mm) WxHxD	498x885x386	500x885x420
Gross Weight	(kg)	36	37,5
Loading Capacity (20°/40°/40°HC)		134/284/425	130/264/394
<b>Unit Accessories</b>			
Flexible Condenser Air Hose (Included)		Yes,D150*L1500 mm	Yes,D150*L1500 mm
Window/Product Exhaust Adapters (2) - Included		Yes	Yes
Additional Water tank		NO	NO

# Portable – C Series

R290



J1-91  
Remote controller



Smart Mode



Super Cool



WIFI Control



Anti-bacteria Fin



I Feel



Smart Mode



WiFi control



Comfortable Sleep



Dehumidify



Quiet Mode



Timer 24 h



Super Cool



Auto-swing



Super Airflow  
5.5m distance



User Friendly  
Control & Display



Display Friendly



Remote control



Window kit



Self-diagnosis



New gas  
R290  
NO F-Gas Cost



4 Casters for  
Easy Moving



Cross flow fan

Model		APC12QC	APH12QC
Model Code		20011351	20011352
Type		T1, Cooling Only	T1, Heating Pump
<b>Ratings</b>			
Cooling Capacity	W	3500	3500
Heating Capacity	W	-	2900
Moisture Removal	L/H.r	1,3	1,3
Air Circulation (H/M/L)	m <sup>3</sup> /h	380/350/320	380/350/320
EER for Cooling	W/W	2,65	2,63
COP for Cooling	W/W	-	2,82
Energy Class	Cooling	A	A
Energy Class	Heating	-	A+
Refrigerant		R290	R290
Refrigerant charge volume	g	290	300
Indoor Unit Noise Level (Sound Pressure)	High (dB (A))	54	54
	Mid (dB (A))	53	53
	Low (dB (A))	52	52
Indoor Unit Noise Level (Sound Power)	High (dB (A))	64	64
<b>Power Supply</b>			
Voltage, Frequency, Phase	V	220-240V~, 50Hz, 1P	220-240V~, 50Hz, 1P
Rated Current	Cooling (A)	5,7	5,8
	Heating (A)	/	4,7
<b>Features</b>			
Unit Control type		Electronic	Electronic
Fan Control		Button	Button
Thermostat Control		Button	Button
Display Type		LED	LED
Sleep Mode		Yes (on the controller)	Yes (on the controller)
Dry Mode (auto speed only)		Yes	Yes
Water Full Indicator		Yes	Yes
Auto Cool (auto fan in cooling)		Yes (on the controller)	Yes (on the controller)
Smart Mode (remote access)		Yes (on the controller)	Yes (on the controller)
Rapid Cool(Jet) Mode (lowest temp & high speed) - remote only		Yes (on the controller)	Yes (on the controller)
Fan Only		Yes - 3 Speed	Yes - 3 Speed
Anion		No	No
Cooling Speed Selections		3	3
Timer- (24 Hr On/Off)		Yes (24 Hr on/off - 1 minutes Increments up to 24 Hrs)	Yes (24 Hr on/off - 1 minutes Increments up to 24 Hrs)
Clock		YES (on the remot controller)	YES (on the remot controller)
Air Swing (Motorized - Upward & Downward Motion)		Yes	Yes
Auto-Restart		Yes	Yes
Fahrenheit to Celsius function		Yes	Yes
Vent System		Single Duct	Single Duct
<b>Dimensions</b>			
Net Dimensions - Indoor Unit	(mm) WxHxD	444X723X361	444X723X361
Net Weight - Indoor Unit	(kg)	31,3	31,6
Packing Dimensions - Indoor Unit	(mm) WxHxD	495X878X420	495X878X420
Gross Weight - Indoor Unit	(kg)	36,6	36,9
Loading Capacity (20'/40'/40"HC)		130/264/394	130/264/394
<b>Unit Accessories</b>			
Flexible Condenser Air Hose (included)		Yes (1 - 6.3" Dia X 59" length) (White 800043)	Yes (1 - 6.3" Dia X 59" length) (White 800043)
Window/Product Exhaust Adapters (2) - Included		Yes	Yes
Window Exhaust Adapter Rain Guard Cover (1) - included		NO	NO
Additional Water tank		NO	NO

## Technical specifications

# Portable – J series

R290



J1-91  
Remote controller



Auto Swing



24hrs Timer



Window kit



Anti-bacteria Fin



I Feel



Smart Mode



Comfortable Sleep



Dehumidify



Quiet Mode



Timer 24 h



Super Cool



Auto-swing



User Friendly Control & Display



Display Friendly



Remote control



Window kit



Self-diagnosis



New gas  
NO F-Gas Cost



4 Casters for  
Easy Moving

Model		APC09	APH09
Model Code		20001256	20001158
Type		T1, Cooling Only	T1, Heating Pump
<b>Ratings</b>			
Cooling Capacity	W	2600	2600
Heating Capacity	W	-	2400
Moisture Removal	L/H.r	1	1
Air Circulation	m <sup>3</sup> /h	350	350
EER for Cooling	W/W	2,61	3,10
COP for Cooling	W/W	-	2,60
Energy Class	Cooling	A	A
Refrigerant		R290	R290
Refrigerant charge volume	g	160	165
Indoor Unit Noise Level (Sound Pressure)	High (dB (A))	52	52
	Mid (dB (A))	51	51
	Low (dB (A))	50	50
Indoor Unit Noise Level (Sound Power)	High (dB (A))	63	63
<b>Power Supply</b>			
Voltage, Frequency, Phase	V	220-240V ~ 50Hz .1P	220-240V ~ 50Hz .1P
Rated Current	Cooling (A)	4,4	4,3
	Heating (A)	/	4
<b>Features</b>			
Display Type		LED	LED
Sleep Mode		Yes (on the controller)	Yes (on the controller)
Dry Mode (auto speed only)		Yes	Yes
Water Full Indicator		Yes	Yes
Auto Cool (auto fan in cooling)		Yes (on the controller)	Yes (on the controller)
Smart Mode (remote access)		Yes (on the controller)	Yes (on the controller)
Rapid Cool(Jet) Mode (lowest temp & high speed) - remote only		Yes (on the controller)	Yes (on the controller)
Fan Only		Yes - 3 Speed	Yes - 3 Speed
Heating mode		No	Yes
Cooling Speed Selections		3	3
Timer- (24 Hr On/Off)		Yes- (24 Hr on/off 1 minute Increments up to 24 Hrs)	Yes- (24 Hr on/off - 1 minute Increments up to 24 Hrs)
Clock		YES (on the remote controller)	YES (on the remote controller)
Air Swing (Motorized - Upward & Downward Motion)		Yes	Yes
Auto-Restart		Yes	Yes
Fahrenheit to Celsius function		Yes	Yes
<b>Dimensions</b>			
Net Dimensions	(mm) WxHxD	430x690x325	442x750x382
Net Weight	(kg)	25,5	26
Packing Dimensions	(mm) WxHxD	480x880x380	500x890x425
Gross Weight	(kg)	29,5	30
Loading Capacity (20°/40°/40°HC)		146/302/447	118/248/375
<b>Unit Accessories</b>			
Flexible Condenser Air Hose (Included)		Yes (1 - 6.3" Dia X 59" Length) (White 800043)	Yes (1 - 6.3" Dia X 59" Length) (White 800043)
Window/Product Exhaust Adapters (2) - Included		Yes	Yes
Window Exhaust Adapter Rain Guard Cover (1) - included		Yes	Yes
Additional Water tank		NO	NO

# Portable – V series

R290



J1-91  
Remote controller



Smart Mode



Anti-bacteria Fin Air



Window kit



Anti-bacteria Fin



I Feel



Smart Mode



Comfortable Sleep



Dehumidify



Quiet Mode



Timer 24 h



Super Cool



User Friendly Control & Display



Display Friendly



Remote control



Window kit



Self-diagnosis



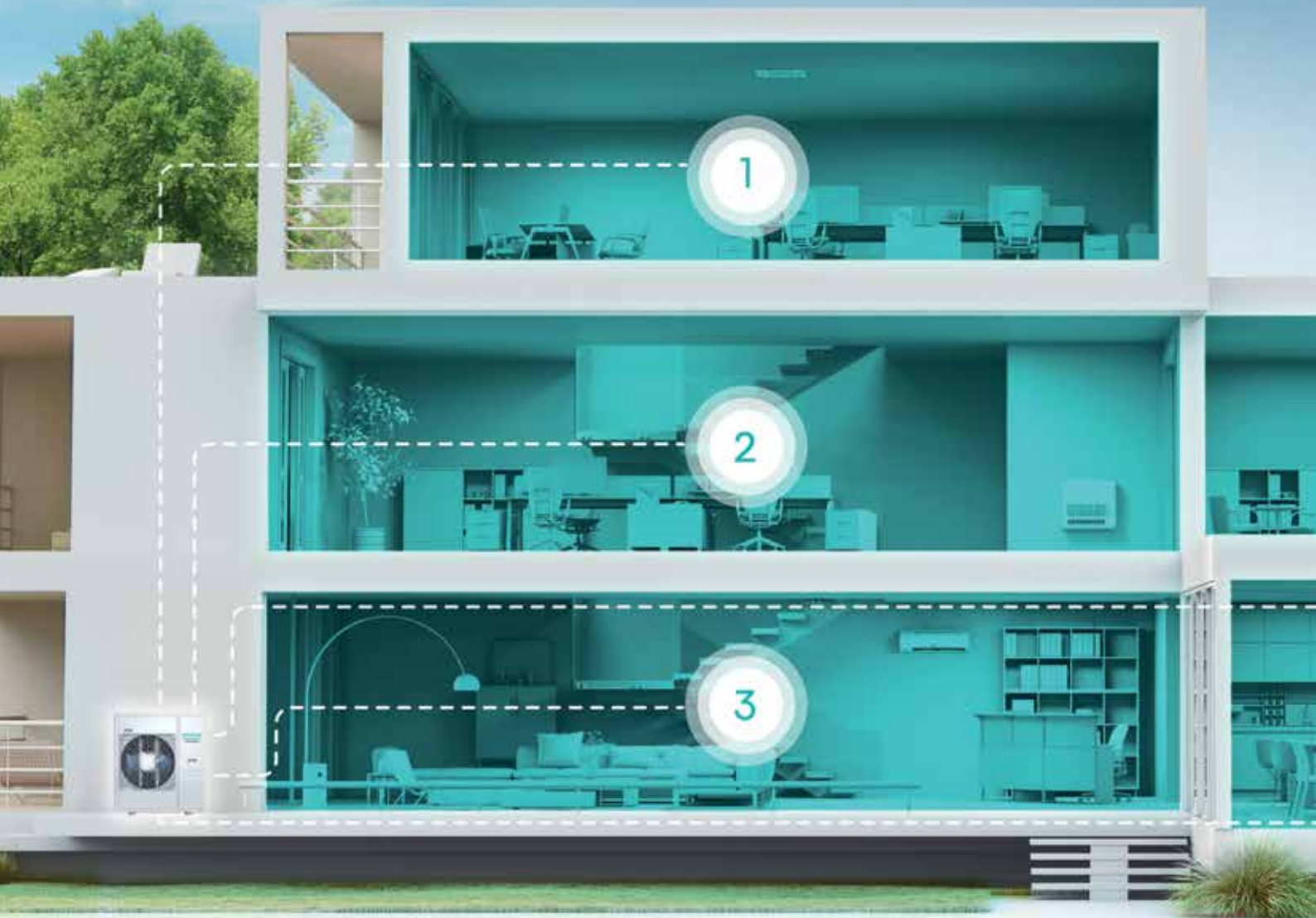
New gas  
NO F-Gas Cost



4 Casters for  
Easy Moving



Model		VAPC07	VAPC09
Model Code		20009657	20009658
Type		T1, Cooling Only	T1, Cooling Only
<b>Ratings</b>			
Cooling Capacity	W	2050	2490
Heating Capacity	W	-	-
Moisture Removal	L/H.r	0.8	0.9
Air Circulation (H/L)	m <sup>3</sup> /h	290/230	320/260
EER for Cooling	W/W	2,61	2,62
COP for Cooling	W/W	-	-
Energy Class	Cooling	A	A
Refrigerant		R290	R290
Refrigerant charge volume	g	150	170
Indoor Unit Noise Level (Sound Pressure)	High (dB (A))	51	52
	Mid (dB (A))	50	50
	Low (dB (A))	48	48
Indoor Unit Noise Level (Sound Power)	High (dB (A))	63	65
<b>Power Supply</b>			
Voltage, Frequency, Phase	V	220~240V~, 50Hz, 1P	220~240V~, 50Hz, 1P
Rated Current	Cooling (A)	3,5	4,5
	Heating (A)	/	/
<b>Features</b>			
Display Type		LED	LED
Sleep Mode		Yes (on the controller)	Yes (on the controller)
Dry Mode (auto speed only)		Yes	Yes
Water Full Indicator		Yes	Yes
Auto Cool (auto fan in cooling)		Yes (on the controller)	Yes (on the controller)
Smart Mode (remote access)		Yes (on the controller)	Yes (on the controller)
Rapid Cool(Jet) Mode (lowest temp & high speed) - remote only		NO	NO
Fan Only		Yes - 3 Speed	Yes - 3 Speed
Anion		No	No
Cooling Speed Selections		2	2
Timer- (24 Hr On/Off)		Yes- (24 Hr on/off 1 minute Increments up to 24 Hrs)	Yes- (24 Hr on/off 1 minute Increments up to 24 Hrs)
Clock		YES (on the remote controller)	YES (on the remote controller)
Air Swing (Motorized - Upward & Downward Motion)		No	No
Auto-Restart		Yes	Yes
Fahrenheit to Celsius function		Yes	Yes
<b>Dimensions</b>			
Net Dimensions	(mm) WxHxD	300x330x670	300x330x670
Net Weight	(kg)	21	24,5
Packing Dimensions	(mm) WxHxD	340x385x880	340x385x880
Gross Weight	(kg)	25	28,5
Loading Capacity (20°/40°/40°HC)		204/420/615	204/420/615
<b>Unit Accessories</b>			
Flexible Condenser Air Hose (included)		Yes (1 - 5.1" Dia X 59" Length) (grey)	Yes (1 - 5.1" Dia X 59" Length) (grey)
Window/Product Exhaust Adapters (2) - Included		Yes	Yes
Window Exhaust Adapter Rain Guard Cover (1) - included		NO	NO
Additional Water tank		NO	NO





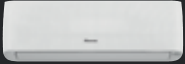

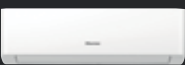









## 04 | MULTI-SPLIT AIR CONDITIONERS

# Line up

## Multi-Outdoor

	Model		Up to		Power
	2AMW35U4RGC 2AMW42U4RGC	→	2	→	3.5kW, 4.1kW
	2AMW52U4RXC	→	2	→	5.0kW
	3AMW42U4RJA 3AMW52U4RJA 3AMW62U4RJC 3AMW72U4RJC	→	3	→	4kW, 5.5kW, 6.3kW, 7.0kW
	4AMW72U4RJC 4AMW81U4RJC	→	4	→	7.0kW, 8.0kW
	4AMW105U4RAA	→	4	→	10.0kW
	5AMW125U4RTA	→	5	→	12.5kW

## Indoor units

Series		Model	Power
Energy Nordic		QH35XV0EG	→ 3.5kW
Energy Pro Plus		QG25XV0EG QG35XV0EG	→ 2.6,kW, 3.5kW
Energy SE		KA25MR0EG KA35XR0EG KA50BS0EG KA70KT0EG	→ 2.6,kW, 3.5kW, 5.0kW, 7.0kW
New Comfort		DJ20YD00G DJ25VE0BG DJ35VE0BG DJ50XA0BG DJ70BB0CG	→ 2.1,kW, 2.6,kW, 3.5kW, 5.0kW, 7.0kW
Mini Apple Pie		TG20YD00G TG25VE0BG TG35VE0BG TG50XA0BG TG70BB0CG	→ 2.1,kW, 2.6,kW, 3.5kW, 5.0kW, 7.0kW
Hi-Comfort		KE25YR4EG KE35MR0EG KE50BS0EG KE70BT2EG	→ 2.6,kW, 3.2kW, 5.0kW, 6.5kW
Compact Cassette		ACT26UR4RCC8 ACT35UR4RCC8 ACT40UR4RCC8 ACT52UR4RCC8	→ 2.5kW, 3.5kW, 4.0kW, 5.0kW
Round Flow Cassette		ACT40UR4RJC8 ACT52UR4RJC8 ACT71UR4RJC8	→ 4.0kW, 5.0kW, 7.0kW
Slim Duct		ADT26UX4RBL8 ADT35UX4RBL8	→ 2.5kW, 3.5kW
		ADT40UX4RCL8 ADT52UX4RCL8	→ 4.0kW, 5.0kW
Ceiling Suspended		AVT60UR4RB8 AVT71UR4RB8	→ 6.0kW, 7.0kW
Console		AKT26UR4RK8 AKT35UR4RK8 AKT40UR4RK8 AKT52UR4RK8	→ 2.5kW, 3.5kW, 4.0kW, 5.0kW

# Multi-Outdoor



Compact Design



Up To 5



FULL DC Inverter



Low temperature  
(-15°C) cooling



Low temperature  
(-20°C) heating



Hi-checker



8°C heating



Bottom e-heater



Leak detection



Compressor  
e-heater



## Outstanding construction with different installation options

### Compact design

Hisense multi-outdoor are the most compact, thus they are lighter and smaller. The more compact design, makes packaging more efficient, more units can be uploaded on the transportation, it makes the installation easier and it saves precious space and looks more beautiful.

## Individually controlled indoor units all connected to one outdoor unit

### 1 Drive 5

The multi outdoor unit can be matched with up to 5 indoor units, depends on the model. The indoor units can be from different type to suit various project requirements from wall mounted , cassette, duct, console and ceiling&floor. Each indoor unit can be set to different temperature, can be controlled and turned on or off separately.



## High efficiency

### FULL DC Inverter

The compressor, and both the indoor and outdoor fan motors are now all FULL DC , which means a much quieter and more efficient operation. No more extra noise pollution and overspending on electricity.



## Save time and energy

### Hi-checker

If the error display doesn't help to solve the problem, then the AC can connect to Hi-Checker to monitor the product parameters and diagnostics data, including discharge temperature, indoor coil temperature, outdoor coil temperature, etc. the data can be recorded and stored for later analysis. The Hi-Checker port is easy to access and therefore it can be connected very quickly.



## Professional solution for all year cooling

### Low temperature (-15°C) cooling

The AC can meet the cooling demand even when the outdoor temperature is -15°C degrees. This is very beneficial for specialized rooms that need constant cooling such as server rooms.



## Super heating capacity

### Low temperature (-20°C) heating

The AC heating function operates normally even when the outdoor temperature is low as -20°C.

## Save energy & keep your home from freezing

### 8°C heating

The outdoor unit can support the indoor unit to enter 8°C HEATING mode. 8°C HEATING mode is a special feature for wall mounted indoor units. When pressing 8C heating bottom in the remote controller the AC will maintain the room at 8°C ambient temperature. This is great feature to prevent your home from freezing in the winter, when you're away from home for long periods or if the pets are home alone.







## Improving the efficiency in winter

### Bottom e-heater

AC with Bottom E-heater prevents the bottom plate from freezing in winter, maintain to AC in good condition and extend its life span.

## Safety is first

### Leak detectition

The outdoor unit monitor the refrigerant level and can detect refrigerant leakage. In case leakage was detected an error code will be displayed and the unit will stop running to ensure safe operation of the air conditioner.



## Stable heating for the entire winter

### Compressor e-heater

New designed compressor electric belt to protect the compressor the let it still run stably in severely cold regions.

# Technical specifications Multi-Outdoor

EU Model Name			2AMW35U4RGC	2AMW42U4RGC	2AMW52U4RXC	3AMW42U4RJA		
Type(Free Match)			up to 2 IDUs	up to 2 IDUs	up to 2 IDUs	up to 3 IDUs		
<b>Performance</b>								
Seasonal efficiency	Cooling	Pdesign	W	3500	4100	5000	4000	
		SEER	W/W	8,10	8,00	7,60	7,50	
		$\eta_{s,c}$	100%	383%	378%	359%	-	
		EEL	Level	A++ (New ERP B)	A++ (New ERP B)	A++ (New ERP B)	A++	
		Annual energy consumption	kWh	151	179	230	187	
	Heating	Pdesign	W	3500	3500	4500	5000	
		SCOP	W/W	4,40	4,40	4,40	4,05	
		$\eta_{s,h}$	Btu/h	207%	207%	207%	-	
		EEL	Level	A+ (New ERP B)	A+ (New ERP B)	A+ (New ERP B)	A+	
		Annual energy consumption	kWh	1114	1114	1432	1728	
		Tbiv	°C	-7	-7	-7	-7	
		Tol	°C	-10	-10	-10	-10	
	Cooling	Capacity	Nominal	W	3500	4100	5000	4000
			Nominal	Btu/h	11942	13989	17060	13648
min - max			W	1000 - 4500	1000 - 5500	1200 - 6600	1600 - 8200	
Input		Nominal	W	770	920	1245	820	
		Current	Nominal	A	3,4	4,0	5,5	4,0
		EER	Nominal	W/W	4,55	4,46	4,02	4,88
Heating	Capacity	Nominal	W	4000	4500	5500	4600	
		Nominal	Btu/h	13648	15354	18766	15695	
		min - max	W	1000 - 5000	1000 - 6000	1200 - 7000	1300 - 8500	
	Input	Nominal	W	830	950	1300	1080	
		Current	Nominal	A	3,6	4,2	5,7	4,9
		COP	Nominal	W/W	4,82	4,74	4,23	4,26
Air flow	ODU	m <sup>3</sup> /h	1950	1950	2300	3150		
Noise Level	Sound Pressure	dB(A)	46	47	49	55		
	Sound Power	dB(A)	58	58	60	65		
Guaranteed Operating Range	Cooling	°C	-15 - 50	-15 - 50	-15 - 50	-15 - 48		
	Heating	°C	-20 - 24	-20 - 24	-20 - 24	-15 - 24		
<b>Electrical Data</b>								
Power supply	Source		Outdoor Supply	Outdoor Supply	Outdoor Supply	Outdoor Supply		
	Outdoor	V/Hz/f	220-240/50&60/1	220-240/50&60/1	220-240/50&60/1	220-240/50&60/1		
Rated power input	Cooling	W	2300	2300	2500	3200		
	Heating	W	2300	2300	2500	3200		
Rated current	Cooling	A	10,0	10,0	11,0	15,0		
	Heating	A	10,0	10,0	11,0	15,0		
Breaker size	Outdoor	A	15	15	15	25		
Anti electric shock			Class I	Class I	Class I	Class I		
Degrees of protection			IPX4	IPX4	IPX4	IPX4		
<b>Dimension &amp; Weight</b>								
Net Dimension (WxHxD)	mm		715×540×240	715×540×240	810×580×280	860×670×310		
Net Weight	kg		28,5	28,5	35	46		
Package Dimension (WxHxD)	mm		830×600×335	830×600×335	940×630×385	990×730×450		
Stacking	Flat/Sideways	Layers	4/0	4/0	4/0	3/0		
Gross Weight	kg		31	31	38	50		
Qty'per 20' /40' /40'HQ	Outdoor Unit		144/294/392	144/294/392	111/225/300	90/186/186		
<b>Technical Information</b>								
Piping connections	Diameter (Liquid)	mm	6.35×2	6.35×2	6.35×2	6.35×3		
	Diameter (Gas)	mm	9.52×2	9.52×2	9.52×2	9.52×3		
	Max Length (Each)	m	15	15	20	20		
	Max Length (Total)	m	30	30	30	45		
	Max Height	m	15	15	15	15		
Refrigerant	Type		R32	R32	R32	R32		
	GWP		675	675	675	675		
	Pre-charged	g	950	950	1050	1350		
	Chargeless pipe length (Total)	m	15	15	15	15		
	Upload additional refrigerant	g/m	12g/m over 15m	12g/m over 15m	12g/m over 15m	12g/m over 15m		

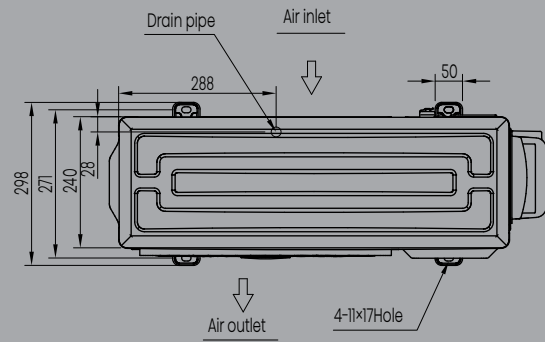
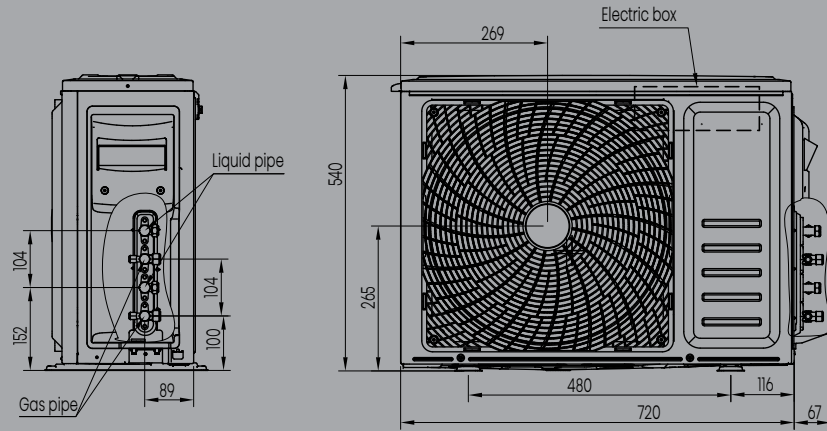
3AMW52U4RJA	3AMW62U4RJC	3AMW72U4RJC	4AMW72U4RJC	4AMW81U4RJC	4AMW105U4RAA	5AMW125U4RTA
up to 3 IDUs	up to 3 IDUs	up to 3 IDUs	up to 4 IDUs	up to 4 IDUs	up to 4 IDUs	up to 5 IDUs
5500	6300	7000	7200	8000	10000	12500
7,30	8,00	7,90	7,80	7,50	6,50	6,50
-	378%	373%	368%	354%	-	736597%
A++	A++ (New ERP B)	A++ (New ERP B)	A++ (New ERP B)	A++ (New ERP B)	A++	-
264	276	310	323	373	0	0
5000	5000	5000	5600	5600	8000	10500
4,05	4,40	4,40	4,40	4,40	4,01	3,72
-	207%	207%	207%	207%	-	1054357%
A+	A+ (New ERP B)	A+ (New ERP B)	A+ (New ERP B)	A+ (New ERP B)	A+	-
1728	1591	1591	1782	1782	0	1
-7	-7	-7	-7	-7	-7	-7
-10	-10	-10	-10	-10	-10	-10
5500	6300	7000	7200	8000	10000	12500
18766	21496	23884	24566	27296	34120	42650
1600 - 8200	2000 - 9000	2000 - 10000	2500 - 11000	2500 - 12000	2600 - 11500	3800 - 15300
1300	1470	1750	0	2145	3100	3610
6,3	6,5	7,9	8,4	9,5	13,8	15,6
4,23	4,29	4,00	3,80	3,73	3,23	3,46
6300	7000	8000	8000	9000	11000	13500
21496	23884	27296	27296	30708	37532	46062
1300 - 8500	2000 - 9000	2000 - 10000	2500 - 11000	2500 - 12000	2200 - 12000	3300 - 17200
1600	1580	2000	0	2195	2800	3600
7,2	6,9	8,7	8,6	9,7	12,4	15,6
3,94	4,43	4,00	4,15	4,10	3,93	3,75
3150	3150	3150	3150	3150	4000	5000
55	50	50	51	51	60	61
65	63	63	64	64	68	75
-15 - 48	-15 - 50	-15 - 50	-15 - 50	-15 - 50	-15 - 48	-15 - 48
-15 - 24	-20 - 24	-20 - 24	-20 - 24	-20 - 24	-15 - 24	-15 - 24
Outdoor Supply	Outdoor Supply	Outdoor Supply	Outdoor Supply	Outdoor Supply	Outdoor Supply	Outdoor Supply
220-240/50&60/1-	220-240/50&60/1-	220-240/50&60/1-	220-240/50&60/1-	220-240/50&60/1-	220-240/50&60/1-	220-240/50&60/1-
3200	3900	3900	3900	3900	4000	7500
3200	3900	3900	3900	3900	4000	7500
15,0	17,3	17,3	17,3	17,3	17,5	32
15,0	17,3	17,3	17,3	17,3	17,5	32
25	25	25	25	25	25	40
Class I	Class I	Class I	Class I	Class I	Class I	Class I
IPX4	IPX4	IPX4	IPX4	IPX4	IPX4	IPX4
860×670×310	860×670×310	860×670×310	860×670×310	860×670×310	950×840×340	950×1050×340
46	45	45	48	48	73	90
990×730×450	990×730×450	990×730×450	990×730×450	990×730×450	1110×920×460	1110×1200×460
3/0	3/0	3/0	3/0	3/0	3/0	2/0
50	49	49	52	52	78	102
90/186/186	90/186/186	90/186/186	90/186/186	90/186/186	52/106/106	26/53/106
6.35×3	6.35×3	6.35×3	6.35×4	6.35×4	6.35×4	6.35×5
9.52×3	9.52×3	9.52×3	9.52×4	9.52×4	9.52×4	9.52×5
20	25	25	25	25	20	20
45	50	50	60	60	60	80
15	15	15	15	15	15	15
R32	R32	R32	R32	R32	R32	R32
675	675	675	675	675	675	675
1350	1460	1460	1750	1750	2200	3000
15	15	15	20	20	20	25
12g/m over 15m	12g/m over 15m	12g/m over 15m	12g/m over 15m	12g/m over 15m	12g/m over 20m	12g/m over 25m

# Installation Drawings

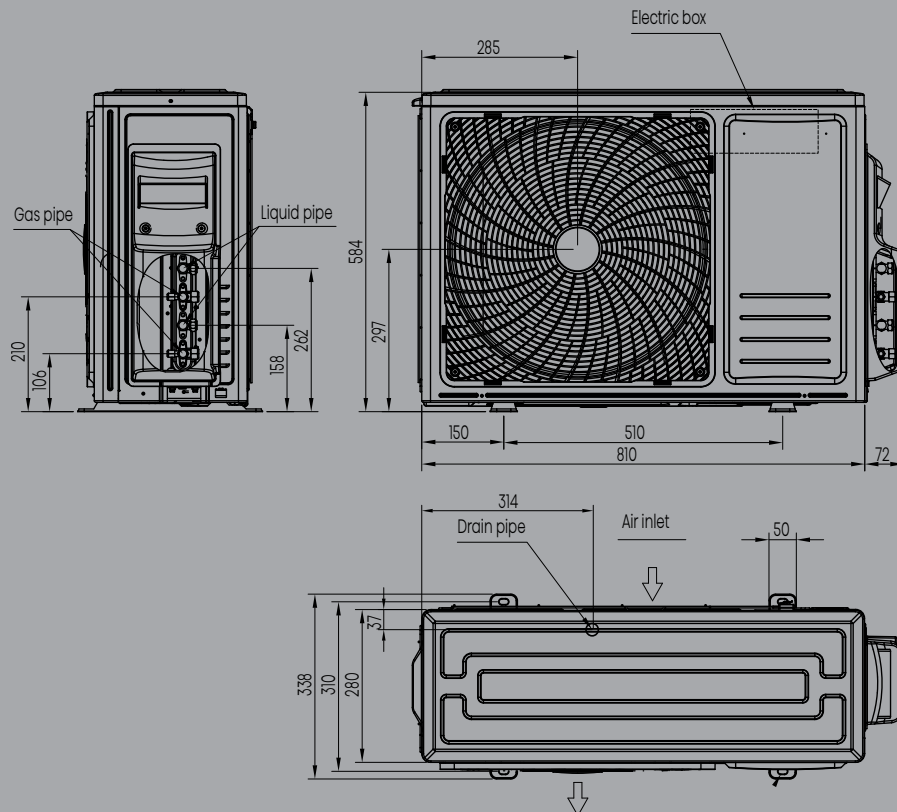
## Multi-Outdoor units

2AMW35U4RGC

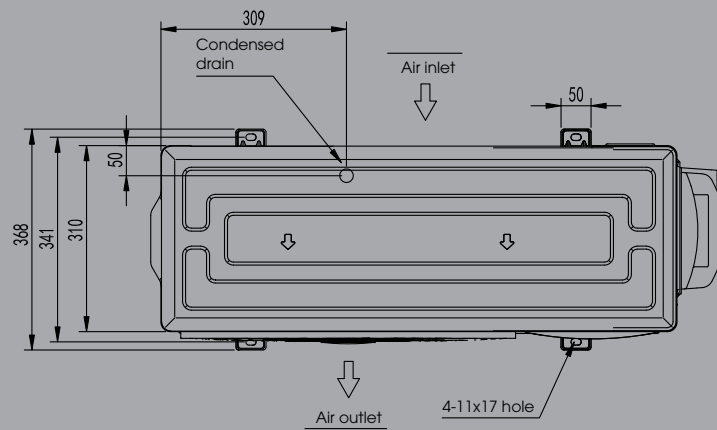
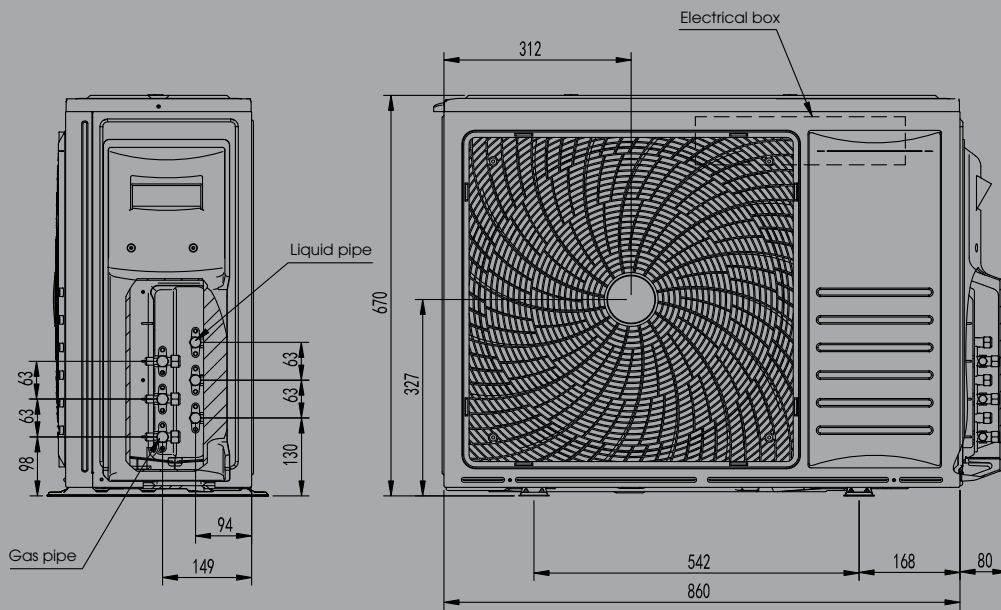
2AMW42U4RGC



2AMW52U4RXC



3AMW62U4RJC  
 3AMW72U4RJC  
 4AMW72U4RJC  
 4AMW81U4RJC





# Wall Mounted Multi-Split



WiFi Control



ON/ OFF Function



Room Card Control



Fire Leakage Control



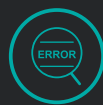
Vertical Auto Swing



Horizontal Auto Swing



Dimmer



Self-diagnosis Protection



Universal Unit

## Technical specifications

# Wall Mounted Multi-Split



### Energy Nordic

Model Name	QH35XV0EG	
Cooling capacity	W	3500
Heating capacity	W	4200
Power input (Indoor Unit Only)	W	30
Rated current (Indoor Unit Only)	A	0,15
Air flow	m <sup>3</sup> /h	650
Noise Level (Sound Power)	dB(A)	55
Net Dimension - Indoor Unit (WxHxD)	mm	835×305×198
Net Weight - Indoor Unit	kg	10
Diameter (Liquid)	mm	6,35
Diameter (Gas)	mm	9,52



### Energy Pro Plus

Model Name		QG25XV0EG	QG35XV0EG
Cooling capacity	W	2600	3500
Heating capacity	W	3200	4200
Power input (Indoor Unit Only)	W	26	30
Rated current (Indoor Unit Only)	A	0,13	0,15
Air flow	m <sup>3</sup> /h	600	650
Noise Level (Sound Power)	dB(A)	55	55
Net Dimension - Indoor Unit (WxHxD)	mm	835×305×198	835×305×198
Net Weight - Indoor Unit	kg	10	10
Diameter (Liquid)	mm	6,35	6,35
Diameter (Gas)	mm	9,52	9,52



### Energy SE

Model Name		KA25MR0EG	KA35XR0EG	KA50BS0EG	KA70KT0EG
Cooling capacity	W	2600	3500	5000	7000
Heating capacity	W	3000	3900	5400	7500
Power input (Indoor Unit Only)	W	22	24	45	52
Rated current (Indoor Unit Only)	A	0,3	0,3	0,4	0,5
Air flow	m <sup>3</sup> /h	520	580	950	1100
Noise Level (Sound Power)	dB(A)	56	56	60	63
Net Dimension - Indoor Unit (WxHxD)	mm	822×258×203	822×258×203	920×321×227	1008×325×217
Net Weight - Indoor Unit	kg	7,7	7,8	11	12
Diameter (Liquid)	mm	6,35	6,35	6,35	9,52
Diameter (Gas)	mm	9,52	9,52	12,7	15,88



## Technical specifications

# Wall Mounted Multi-Split



### New Comfort

Model Name		DJ20YD00G	DJ25VE0BG	DJ35VE0BG	DJ50XA0BG	DJ70BB0CG
Cooling capacity	W	2100	2600	3500	5000	7000
Heating capacity	W	2500	2800	4000	5600	7100
Power input (Indoor Unit Only)	W	45	45	45	70	52
Rated current (Indoor Unit Only)	A	0,2	0,2	0,2	0,3	0,24
Air flow	m <sup>3</sup> /h	500	550	600	1000	1100
Noise Level (Sound Power)	dB(A)	56	56	56	60	63
Net Dimension - Indoor Unit (WxHxD)	mm	745×270×212	815×275×210	815×275×210	914×315×228	1085×315×228
Net Weight - Indoor Unit	kg	7,5	8,5	8,5	12	13
Diameter (Liquid)	mm	6,35	6,35	6,35	6,35	9,52
Diameter (Gas)	mm	9,52	9,52	9,52	12,7	15,88



### Mini Apple Pie

Model Name		TG20YD00G	TG25VE0BG	TG35VE0BG	TG50XA0BG	TG70BB0CG
Cooling capacity	W	2100	2600	3500	5000	7000
Heating capacity	W	2500	2800	4000	5600	7100
Power input (Indoor Unit Only)	W	43	45	45	70	52
Rated current (Indoor Unit Only)	A	0,2	0,2	0,2	0,3	0,24
Air flow	m <sup>3</sup> /h	500	550	600	1000	1100
Noise Level (Sound Power)	dB(A)	56	56	56	60	63
Net Dimension - Indoor Unit (WxHxD)	mm	880×275×207	950×272×207	950×272×207	1050×320×235	1219×320×235
Net Weight - Indoor Unit	kg	8	9	9	12	13
Diameter (Liquid)	mm	6,35	6,35	6,35	6,35	9,52
Diameter (Gas)	mm	9,52	9,52	9,52	12,7	15,88



### Hi-Comfort

Model Name		KE25YR4EG	KE35MR0EG	KE50BS0EG	KE70BT2EG
Cooling capacity	W	2600	3200	5000	6500
Heating capacity	W	2700	3300	5400	7100
Power input (Indoor Unit Only)	W	22	24	45	52
Rated current (Indoor Unit Only)	A	0,3	0,3	0,4	0,5
Air flow	m <sup>3</sup> /h	550	550	950	1100
Noise Level (Sound Power)	dB(A)	57	57	60	64
Net Dimension - Indoor Unit (WxHxD)	mm	835×256×195	835×256×195	933×300×216	1045×325×220
Net Weight - Indoor Unit	kg	7,7	7,7	10,5	11,5
Diameter (Liquid)	mm	6,35	6,35	6,35	9,52
Diameter (Gas)	mm	9,52	9,52	12,7	15,88

# Cassette



Compact Design



Round Flow



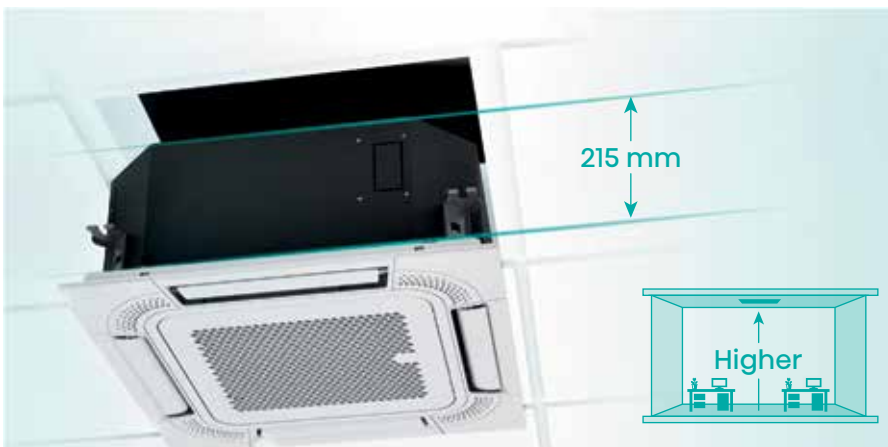
Fresh Air Intake



High Ceiling



HI-NANO sterilization  
(optional)



## Keep your room spacious

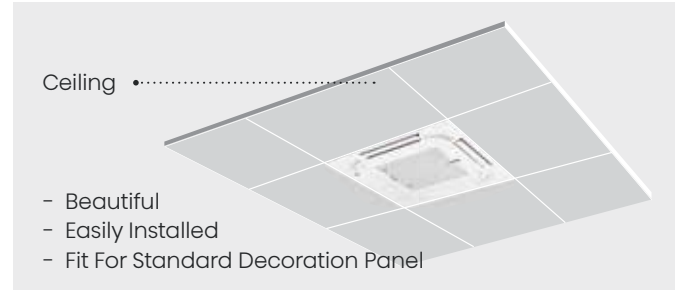
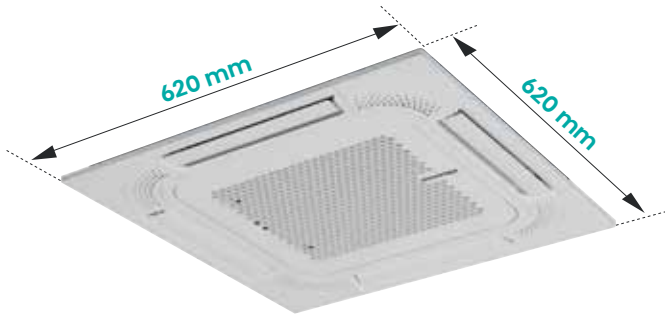
### Compact Design

The compact design with body thickness of only 215 mm reduces the ceiling height. The compact design makes the most slim design in class.

## Easily installed and beautiful

### 620x620 Panel

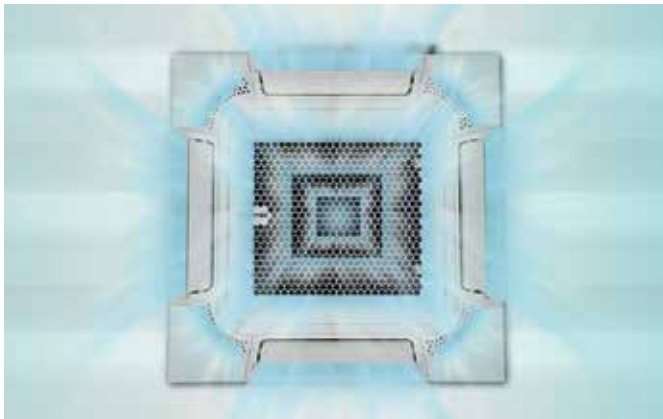
The 620x620mm panel is very fit for the standard decoration panel, without covering other things. So it can be beautiful and easily installed.



## Next level experience

### Round Flow

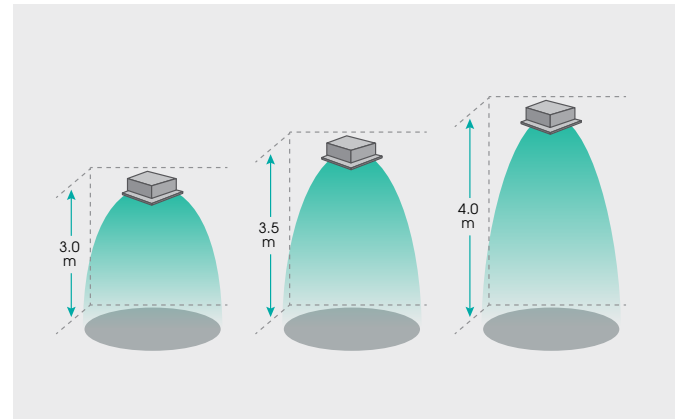
360°Round Flow can give optimum efficiency and comfort. Full-flat panel and micro-channel design allow smooth air supply and ensure the best comfort.



## Easily adjusted to your wishes and needs

### High Ceiling

When the ceiling is high, the unit parameters can be set through the wired controller to compensate the installation height, so that the cool air can blow down to people's activity area.

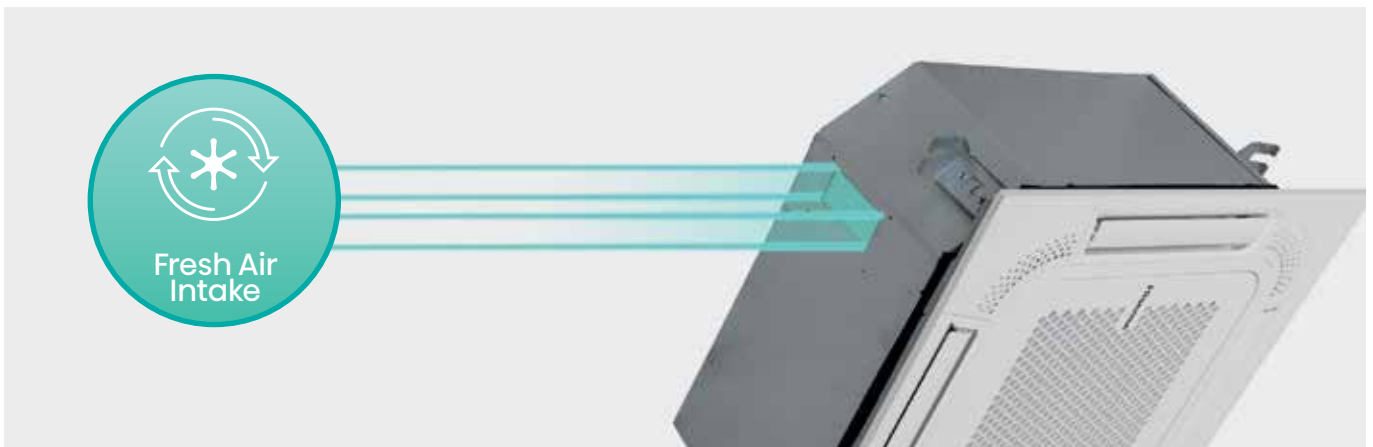


## Outdoor freshness in the comfort of your home

### Fresh Air Intake

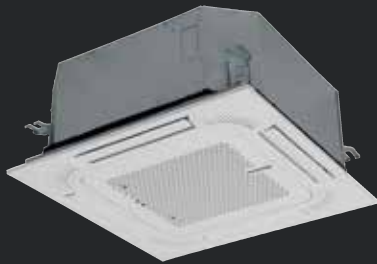
The function of Fresh Air Intake will introduce the outdoor fresh air into the room to improve indoor air quality.

Note: The proportion of fresh air volume cannot exceed 20% of the total design air volume.



## Technical specifications

# Compact Cassette



RCH-RVD01  
Remote controller



YXE-C01U1(E)  
Wired controller (optional)



WiFi Control



Compact Design



Room Card Control



Fire Leakage Control



Individual Airflow Control



High Ceiling



Fresh Air Intake



Silver Ion Filter



Humidity sensor

EU Model Name		ACT26UR4RCC8	ACT35UR4RCC8	ACT40UR4RCC8	ACT52UR4RCC8
<b>Performance</b>					
Cooling capacity	W	2600	3500	4000	5000
Heating capacity	W	3200	4000	4500	5500
Power Supply	V/Hz/f	220~240/50&60/1~	220~240/50&60/1~	220~240/50&60/1~	220~240/50&60/1~
Power input (Indoor Unit Only)	W	35	35	41	41
Rated current (Indoor Unit Only)	A	0.2	0.2	0.9	0.9
Anti electric shock		Class I	Class I	Class I	Class I
Degrees of protection		IPX0	IPX0	IPX0	IPX0
Air flow	m <sup>3</sup> /h	600/500/400	600/500/400	700/600/510	700/600/510
Noise Level (Sound Power)	dB(A)	54	54	57	57
Noise Level H/M/L (Sound Pressure)	dB(A)	38/34/30	38/34/30	42/38/34	42/38/34
Net Dimension - Indoor Unit (WxHxD)	mm	570×215×570	570×215×570	570×215×570	570×215×570
Net Dimension - Panel (WxHxD)	mm	620×40×620	620×40×620	620×40×620	620×40×620
Net Weight - Indoor Unit	kg	15.5	15.5	15.5	15.5
Package Dimension - Indoor Unit (WxHxD)	mm	730×668×292	730×668×292	730×668×292	730×668×292
Package Dimension - Panel (WxHxD)	mm	690×680×115	690×680×115	690×680×115	690×680×115
Gross Weight - Indoor Unit	kg	18.5	18.5	18.5	18.5
Diameter (Liquid)	mm	Ø6.35 (1/4")	Ø6.35 (1/4")	Ø6.35 (1/4")	Ø6.35 (1/4")
Diameter (Gas)	mm	Ø9.52 (3/8")	Ø9.52 (3/8")	Ø12.7 (1/2")	Ø12.7 (1/2")

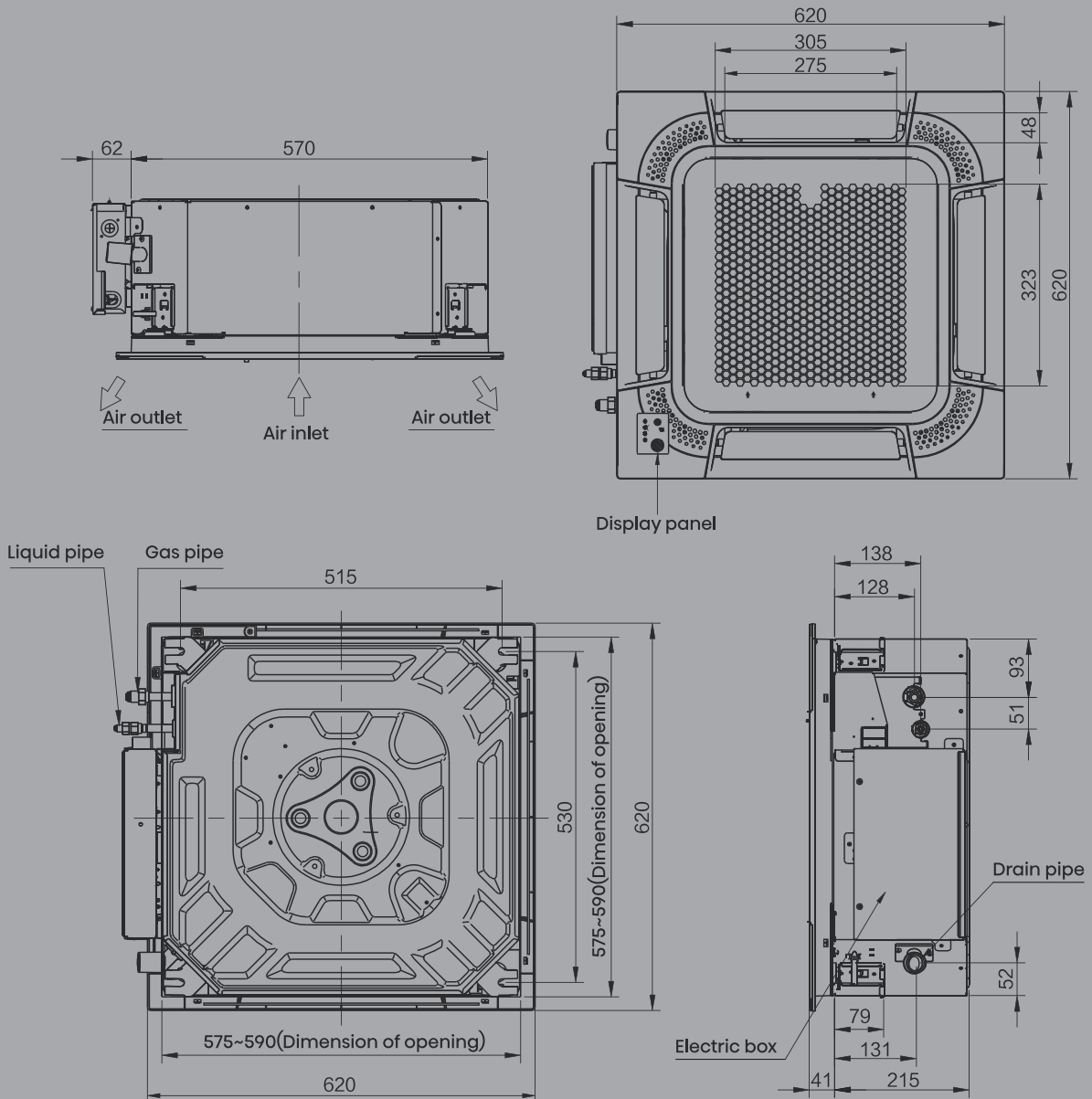
# Installation Drawings

ACT26UR4RCC8

ACT35UR4RCC8

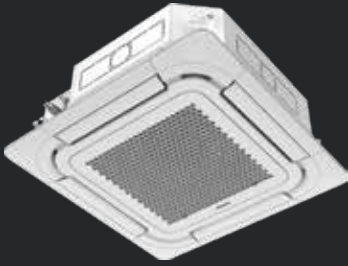
ACT40UR4RCC8

ACT52UR4RCC8



## Technical specifications

# Round Flow Cassette



RCH-RVD01  
Remote controller



YXE-C01U1(E)  
Wired controller (optional)



WiFi Control



Round Flow



Humidity  
Sensor



Easy Cleaning  
Filter



Individual  
Airflow control



High Ceiling



Fresh Air Intake



Silver Ion Filter



I Feel

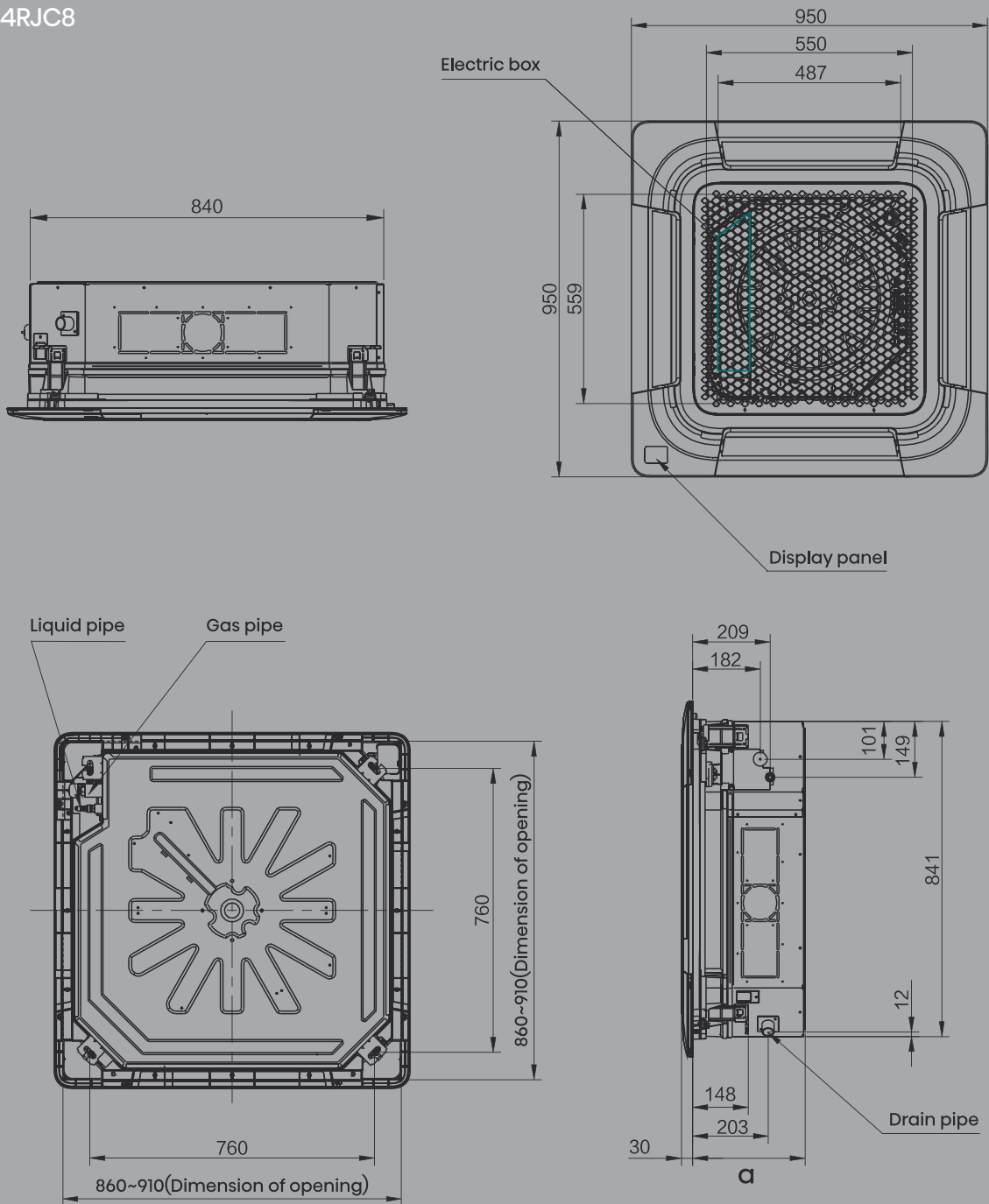
EU Model Name		ACT40UR4RJC8	ACT52UR4RJC8	ACT71UR4RJC8
<b>Performance</b>				
Cooling capacity	W	4000	5000	7000
Heating capacity	W	4500	5500	8000
Power Supply	V/Hz/f	220~240/50&60/1~	220~240/50&60/1~	220~240/50&60/1~
Power input (Indoor Unit Only)	W	29	29	29
Rated current (Indoor Unit Only)	A	0.2	0.2	0.2
Anti electric shock		Class I	Class I	Class I
Degrees of protection		IPX0	IPX0	IPX0
Air flow	m <sup>3</sup> /h	1080/930/780	1080/930/780	1080/930/780
Noise Level (Sound Power)	dB(A)	57	57	57
Noise Level H/M/L (Sound Pressure)	dB(A)	40/37/34	40/37/34	40/37/34
Net Dimension - Indoor Unit (WxHxD)	mm	840×236×840	840×236×840	840×236×840
Net Dimension - Panel (WxHxD)	mm	950×50×950	950×50×950	950×50×950
Net Weight - Indoor Unit	kg	23	23	23
Package Dimension - Indoor Unit (WxHxD)	mm	950×320×950	950×320×950	950×320×950
Package Dimension - Panel (WxHxD)	mm	1020×105×1000	1020×105×1000	1020×105×1000
Gross Weight - Indoor Unit	kg	28	28	28
Diameter (Liquid)	mm	Ø6.35 (1/4")	Ø6.35 (1/4")	Ø9.52 (3/8")
Diameter (Gas)	mm	Ø12.7 (1/2")	Ø12.7 (1/2")	Ø15.88 (5/8")

# Installation Drawings

ACT40UR4RJC8

ACT52UR4RJC8

ACT71UR4RJC8



a

# Duct



Slim Design



Flexible Installation



1 Pa ESP Setting

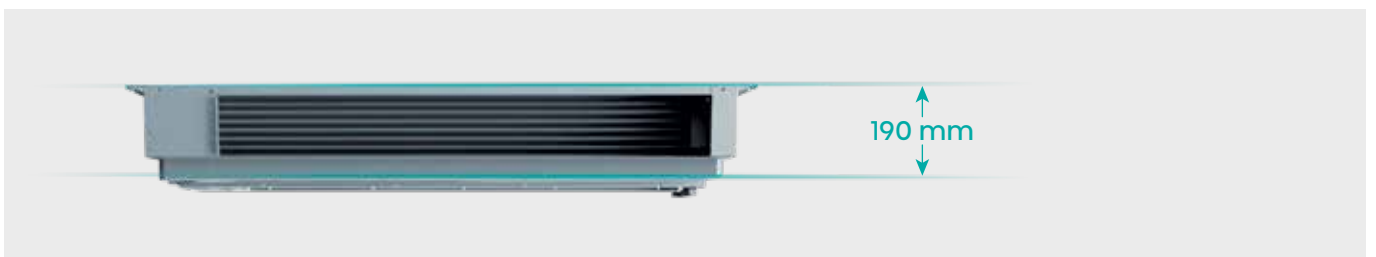


Built-in Drain Pump

## Great for all types of places

### Slim Design

The slim duct unit, with a thickness of only 190mm, makes it no longer a challenge to narrow ceiling voids. The external static pressure of up to 50Pa facilitates unit use with flexible ducts of varying lengths.

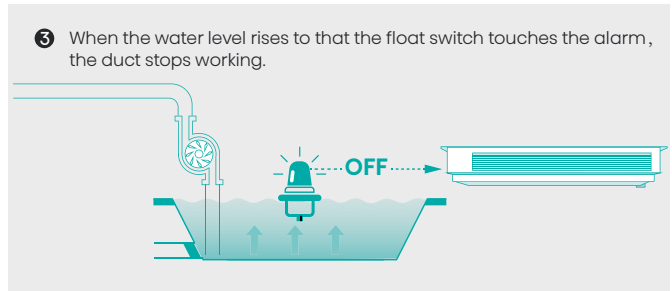
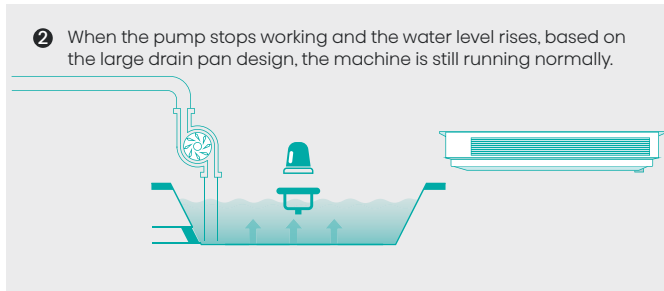
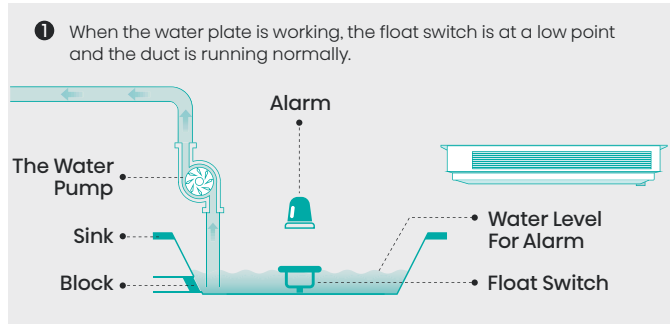




## Safe operation

### Float Switch

The float switch can ensure the water always under the safety level, even if the pump failed or the drain is blocked. This is double insurance of no water leakage disaster. Hisense duct units are all standard with float switch. The drain pan of Hisense is big enough for containing all the water returned from the drain pipe in suddenly power off.

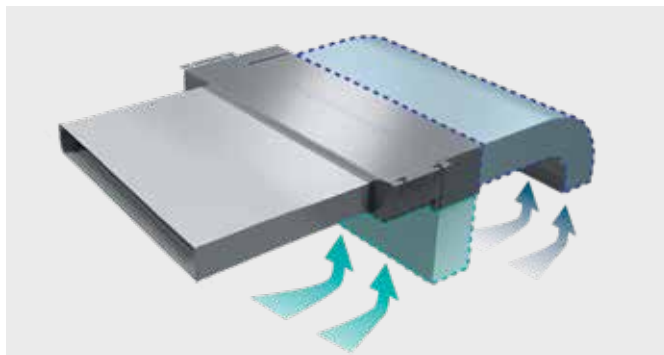


## Different air suction options

### Flexible Installation

Air suction direction can be altered from rear to bottom suction, giving a choice between free use and connection to optional suction grilles.

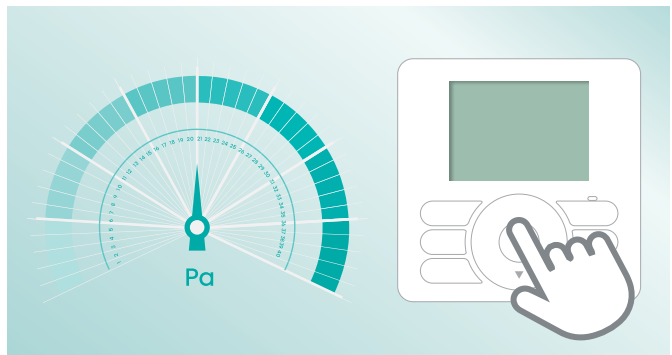
Note: The rear suction is 5dB lower than the bottom suction, so it is recommended to use the rear suction.



## Highly accurate flow remote control

### 1 Pa ESP Setting

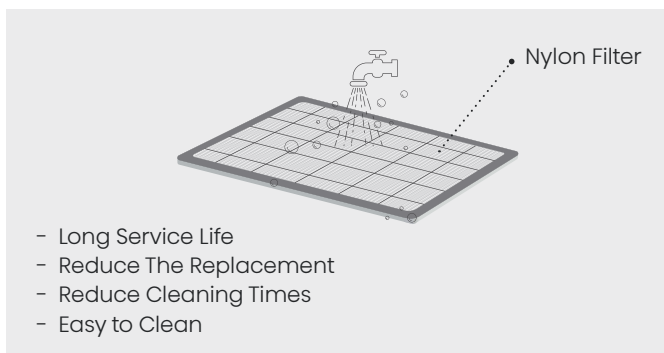
Possibility to change ESP via wired remote controller allows optimisation of the supply air volume. And the adjust precision of 1 Pa can give the most accurate ESP setting in class.



## Breath clean air and stay Healthy

### Filter

Hisense Duct units are all standard with nylon filter. The long-life filter can reduce the replacement and cleaning times. The filter is washable so that the dust can be easily washed off from the filter.

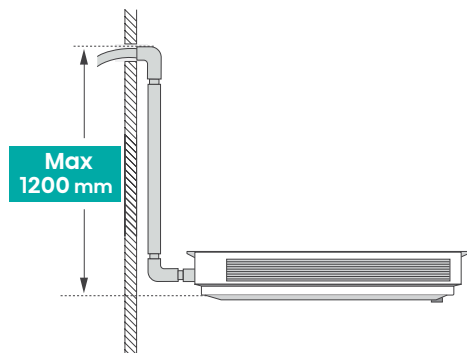


## Suitable for all requirements

### Inner High Lift Pump

The maximum lift of Hisense high lift pump components can be as high as 1200 mm.

\* In order to ensure smooth drainage in long-term operation, the recommended drainage height is ≤800mm.



## Technical specifications

# Slim Duct



R2-01  
Remote controller



YXE-C01U1(E)  
Wired controller



WiFi Control



ON/OFF Function



Room Card Control



Fire Leakage Control



Water Level Switch



Built-in Drain Pump



Slim Design



1 Pa adjust precision



Easy Installation

EU Model Name		ADT26UX4RBL8	ADT35UX4RBL8	ADT40UX4RCL8	ADT52UX4RCL8
<b>Performance</b>					
Cooling capacity	W	2600	3500	4100	5000
Heating capacity	W	3200	4000	4600	5500
Power Supply	V/Hz/f	220~240/50&60/1~	220~240/50&60/1~	220~240/50&60/1~	220~240/50&60/1~
Power input (Indoor Unit Only)	W	25	25	32	32
Rated current (Indoor Unit Only)	A	0,1	0,1	0,5	0,5
Anti electric shock		Class I	Class I	Class I	Class I
Degrees of protection		IPX0	IPX0	IPX0	IPX0
Air flow	m <sup>3</sup> /h	600/484/400	600/484/400	900/840/780	900/840/780
Noise Level (Sound Power)	dB(A)	50	50	57	57
Noise Level H/M/L (Sound Pressure)	dB(A)	36/33/30	36/33/30	41/37/33	41/37/33
External static pressure	Pa	25+10(0~50)	25+10(0~50)	25+10(0~50)	25+10(0~50)
Net Dimension (WxHxD)	mm	910×190×447	910×190×447	1180×190×447	1180×190×447
Net Weight	kg	18	18	24,5	24,5
Package Dimension - Indoor Unit (WxHxD)	mm	1080×285×565	1080×285×565	1350×285×565	1350×285×565
Gross Weight	kg	21,5	21,5	29,5	29,5
Diameter (Liquid)	mm	Ø6.35 (1/4")	Ø6.35 (1/4")	Ø6.35 (1/4")	Ø9.52 (3/8")
Diameter (Gas)	mm	Ø9.52 (3/8")	Ø9.52 (3/8")	Ø12.7 (1/2")	Ø15.88 (5/8")

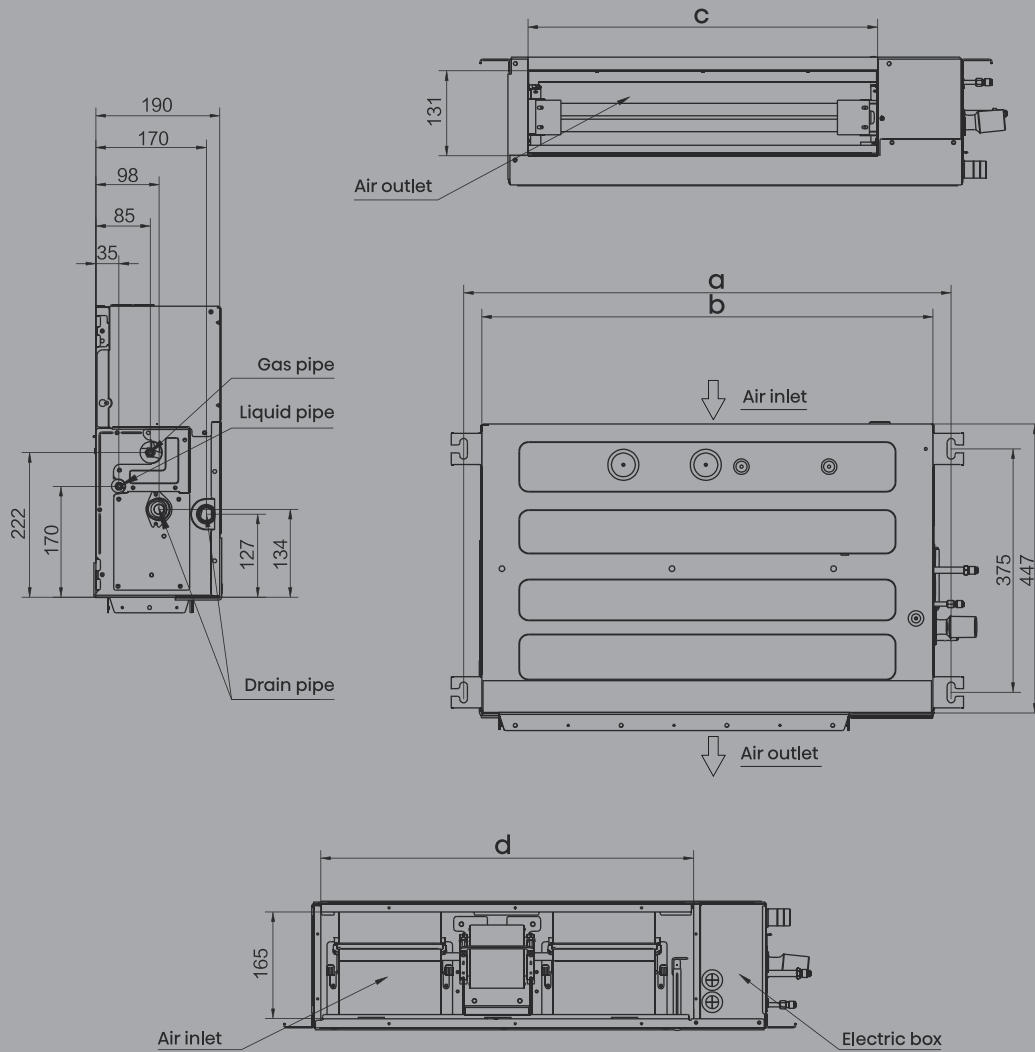
# Installation Drawings

ADT26UX4RBL8

ADT35UX4RBL8

ADT40UX4RCL8

ADT52UX4RCL8



	a	b	c	d
ADT26 / ADT35	961	910	749	786
ADT52 / AUD71	1231	1180	1019	1056

# Ceiling suspended



Several  
Installation Modes



4D Airflow



WiFi Easy



High Ceiling

## Positioned so it suits you best

### Several Installation Modes

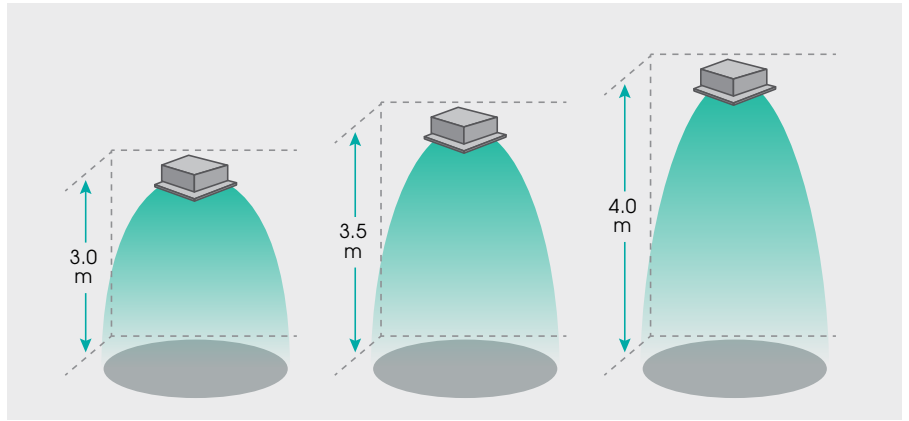
Ceiling & Floor unit adopts a special structure which can meet seat, lifting and inclined installation mode. What's more, piping can be arranged in four directions, left, right, rear, and bottom.



## Easily adjusted to your wishes and needs

### High Ceiling

When the ceiling is high, the unit parameters can be set through the wired controller to compensate the installation height, so that the cool air can blow down to people's activity area.



## Comfortable air flow even in wide rooms

### 4D Airflow

The horizontal and vertical air flow swings can provide better room comfort. Ideal for comfortable air flow in wide rooms:

- up to 90° discharge horizontal angle
- up to 65° discharge vertical angle



## Easy wifi handling

### WiFi Easy

WiFi module can be fixed easily in multiple optional positions of the indoor unit with 3M double-sided tape. The installer can flexibly determine the installation location of the WiFi module according to the strength of the WiFi signal.



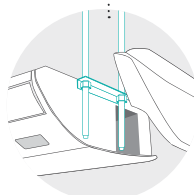
## Elegant, Beautiful state-of-the-art design

### Sleek Smooth Design

Shiny white cover panel of the unit has a streamlined elegant aesthetic. The bolts and nuts used to secure the unit onto wall or ceiling are designed to be concealed in the unit for a sleek room interior look.



Streamlined elegant aesthetic



The bolts and nuts designed to be concealed in the unit.

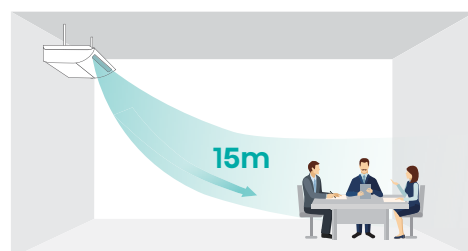
## Suitable for small and large spaces

### Airflow 15m distance

The airflow can be up to 15m distance. People can enjoy comfortable airflow even in large spaces.



Large air volume and fast cooling.



Long-distance air supply up to 15 m.

## Technical specifications

# Ceiling suspended



R2-01

Remote controller



YXE-C01U1(E)

Wired controller (optional)



WiFi Control



ON/OFF Function



Emergency Use



Anti-bacteria Fin



Several Airflow Modes



High Ceiling



Easy Cleaning Filter



Silver Ion Filter



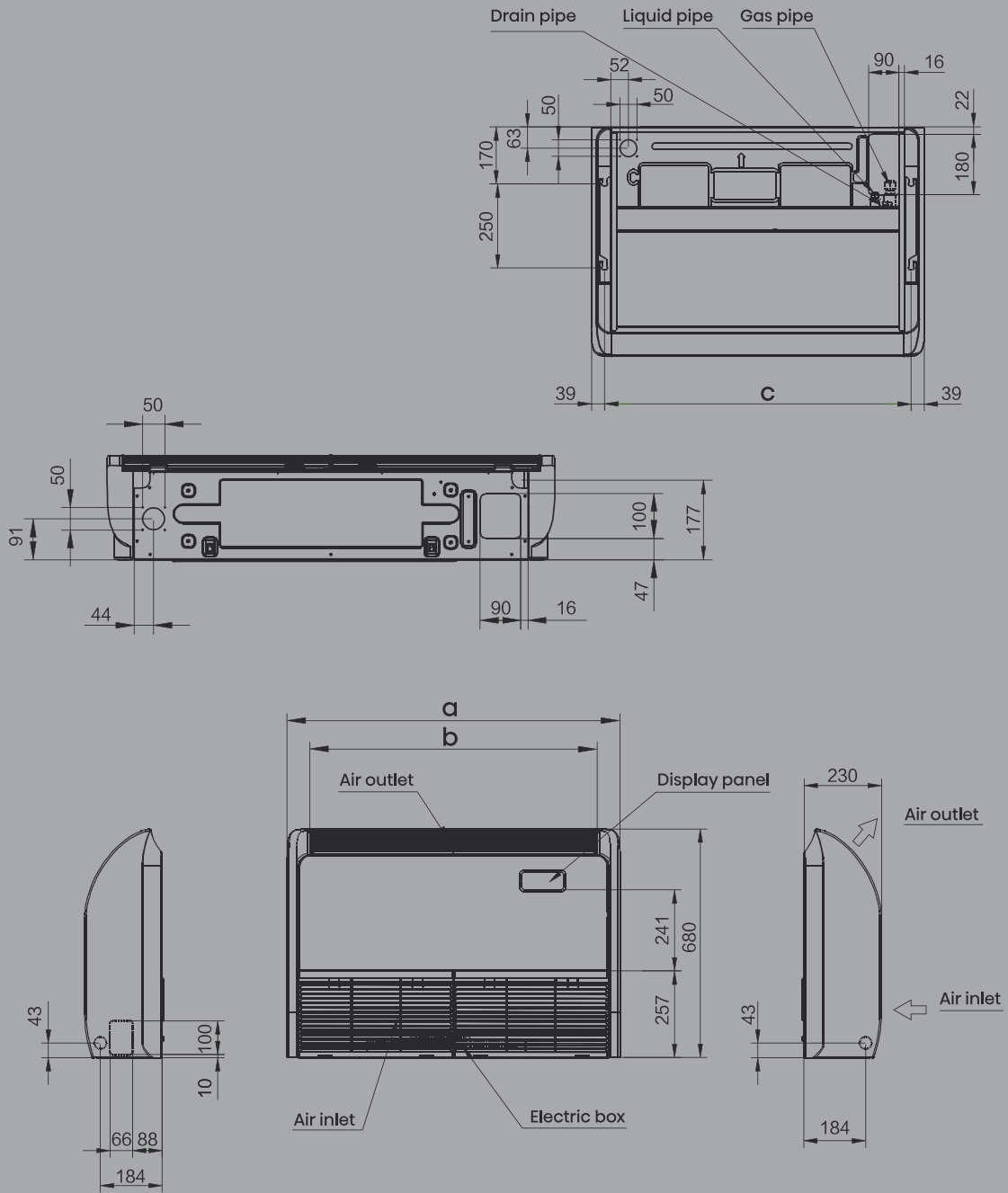
I Feel

EU Model Name		AVT60UR4RB8	AVT71UR4RB8
<b>Performance</b>			
Cooling capacity	W	6200	7000
Heating capacity	W	7300	8000
Power Supply	V/Hz/f	220~240/50&60/1~	220~240/50&60/1~
Power input (Indoor Unit Only)	W	TBD	TBD
Rated current (Indoor Unit Only)	A	TBD	TBD
Anti electric shock		Class I	Class I
Degrees of protection		IPX0	IPX0
Air flow	m <sup>3</sup> /h	1400/1200/1000	1400/1200/1000
Noise Level (Sound Power)	dB(A)	65	65
Noise Level H/M/L (Sound Pressure)	dB(A)	50/46/42	50/46/42
Net Dimension - Indoor Unit (WxHxD)	mm	1285×680×230	1285×680×230
Net Weight - Indoor Unit	kg	37	37
Package Dimension - Indoor Unit (WxHxD)	mm	1400×820×350	1400×820×350
Gross Weight - Indoor Unit	kg	44	44
Diameter (Liquid)	mm	Ø9.52 (3/8")	Ø9.52 (3/8")
Diameter (Gas)	mm	Ø15.88 (5/8")	Ø15.88 (5/8")

# Installation Drawings

AVT60UR4RB8

AVT71UR4RB8



	a	b	c
AVT60UR4RB8 / AVT71UR4RB8	1285	1150	1207

# Console



Several  
Airflow Modes



Independent  
Dual Vane



LED  
Display



Effective  
Heating



HI-NANO sterilization

## Better air and comfort delivery

### Dual Vane Design

The unique dual vane can be completely sealed when the unit is off, and can rotate independently when the unit is on. The console unit can give a comfortable airflow distribution.

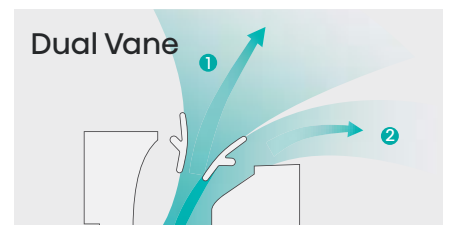
Dual vane can be completely sealed



### Single Vane



### Dual Vane







## Different air distribution options

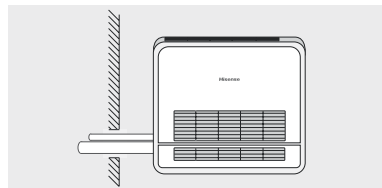
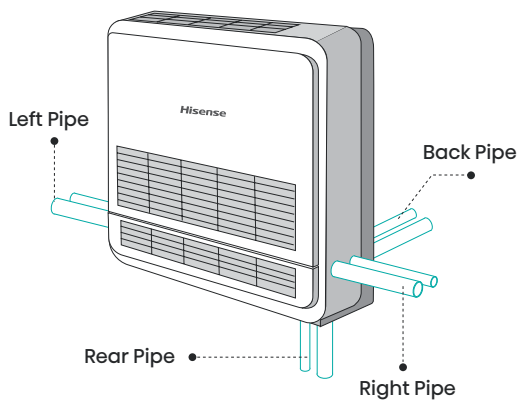
### Several Airflow Modes

Various air-out combinations of top air-out, bottom air-out and top-bottom make the room air distribution and temperature more comfortable.

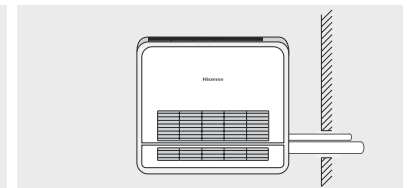
## Tailored to your needs

### Flexible Piping

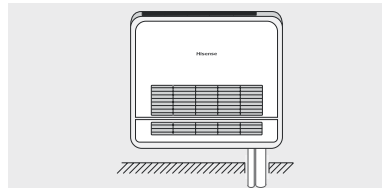
Both refrigerant and drainage pipes are freely to connect in any direction including any sides.



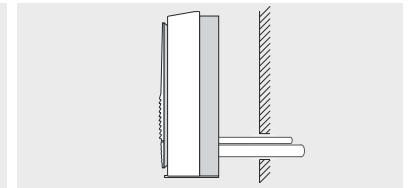
The left side is against the wall.



The right side is against the wall.



The wall is under the machine.

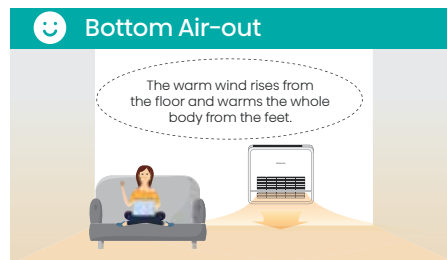
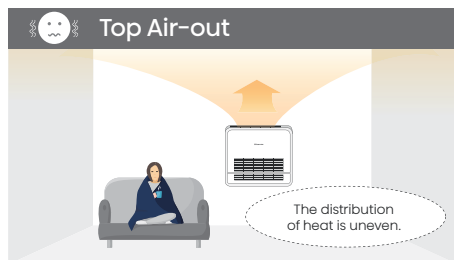


The wall is behind the machine.

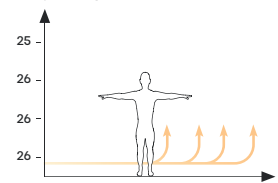
## Comfortable environment in the cold days

### Effective Heating

The hot airflow blowing from the bottom air-outlet can give an effective heating even with the same heating capacity, namely Foot Warming Effect.



Feeling Temperature (°C)



\* Bottom Air-out : Small temperature difference between upper and lower.

## Discrete, yet easy to read

### LED Display

The 88 LED hidden display makes the console unit simple and beautiful.



## Technical specifications

# Console



R2-01

Remote controller



YXE-C01U1(E)

Wired controller (optional)

HI-NANO  
Sterilization

WiFi Control

ON/OFF  
FunctionRoom Card  
ControlFire Leakage  
ControlUp/down  
OutletWired  
ControllerFour Directions  
For Pipeline

Universal Unit



I Feel

EU Model Name		AKT26UR4RK8	AKT35UR4RK8	AKT40UR4RK8	AKT52UR4RK8
<b>Performance</b>					
Cooling capacity	W	2600	3500	4100	4900
Heating capacity	W	3200	4000	4500	5000
Power Supply	V/Hz/f	220~240/50&60/1~	220~240/50&60/1~	220~240/50&60/1~	220~240/50&60/1~
Power input (Indoor Unit Only)	W	25	25	35	35
Rated current (Indoor Unit Only)	A	0,1	0,1	0,5	0,5
Anti electric shock		Class I	Class I	Class I	Class I
Degrees of protection		IPX0	IPX0	IPX0	IPX0
Air flow	m <sup>3</sup> /h	600/510/440	600/510/440	700/600/470	700/600/470
Noise Level (Sound Power)	dB(A)	56	56	59	59
Noise Level H/M/L (Sound Pressure)	dB(A)	40/35/33	40/35/33	44/40/35	44/40/35
Net Dimension - Indoor Unit (WxHxD)	mm	700×630×220	700×630×220	700×630×220	700×630×220
Net Weight - Indoor Unit	kg	15	15	15	15
Package Dimension - Indoor Unit (WxHxD)	mm	840×730×340	840×730×340	840×730×340	840×730×340
Gross Weight - Indoor Unit	kg	19	19	19	19
Diameter (Liquid)	mm	Ø6.35 (1/4")	Ø6.35 (1/4")	Ø6.35 (1/4")	Ø6.35 (1/4")
Diameter (Gas)	mm	Ø9.52 (3/8")	Ø9.52 (3/8")	Ø12.7 (1/2")	Ø12.7 (1/2")

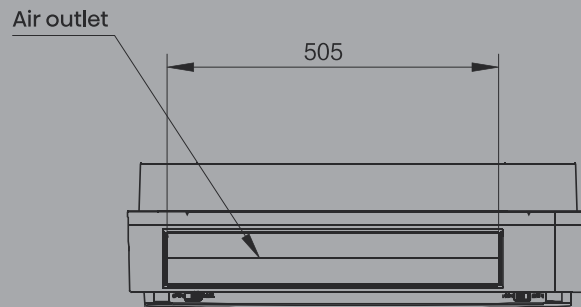
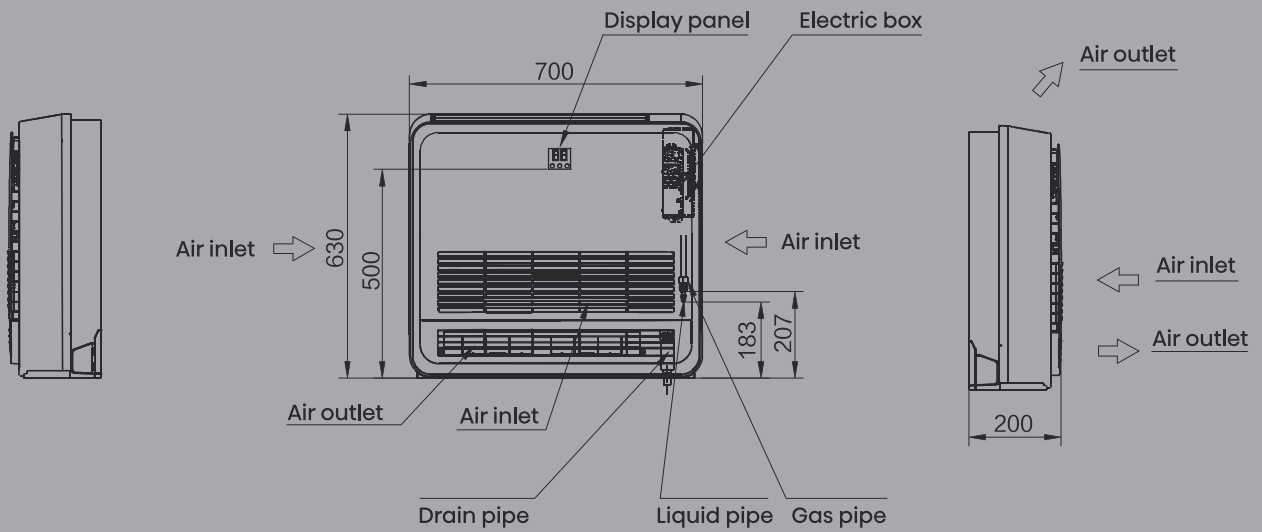
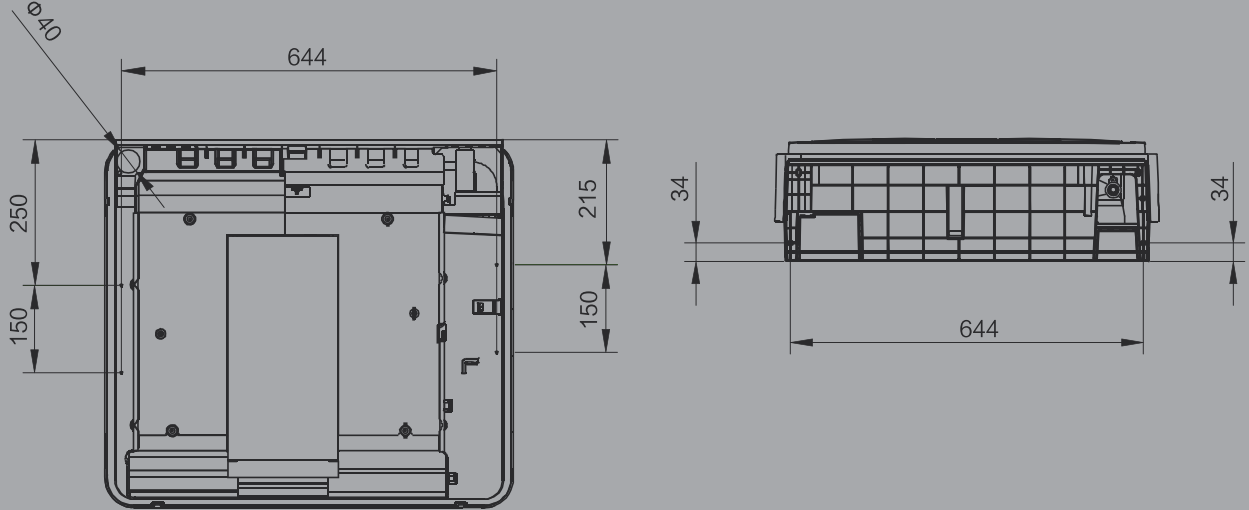
# Installation Drawings

AKT26UR4RK8

AKT35UR4RK8

AKT40UR4RK8

AKT52UR4RK8





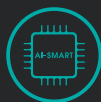
A modern office hallway with a floor-standing air conditioner. The hallway features a wooden floor, a white ceiling with recessed lighting, and a glass-walled office space on the right. A tall, silver floor-standing air conditioner is positioned on the left side of the hallway. The background shows a bright, open-plan office area with large windows and a desk.

# 05 | FLOOR STANDING AIR CONDITIONERS

# Main features



Fresh air



AI Smart



I feel



HI-NANO  
sterilization

## Fresh air, better life

### Fresh Air

When the windows are closed, the carbon dioxide concentration in the indoor air is too high, which is not good for health. Fresh Air feature introduces fresh outdoor air into the room and refreshes the whole room in just few minutes through layered purification, making people full of vitality.



## No more hassle with settings

### AI smart

Automatically adjust temperature, humidity and air airflow according to the room conditions to keep you comfortable in every moment.



## It keeps you healthy

### HI-NANO

Ion technology that generates 1 million/cm<sup>3</sup> ions and effectively removes bacteria and viruses from the air, including SARS-COV-2 (Coronavirus) within 2 hours.



## Cleans the Air conditioner for you

### Self-Cleaning

With Hisense new generation hydrophilic painting film, the accumulated dust/microorganism/oil are removed from the aluminium surface of the indoor unit via a frosting and defrosting cycle.



## Technical specifications

# Floor Standing



R2-01  
Remote controller



YXE-C01U1(E)  
Wired controller (optional)



WiFi Easy



ON/OFF Function



Room Card Control



Fire Leakage Control



4D Airflow



Sleep Mode



Wired Controller



I Feel



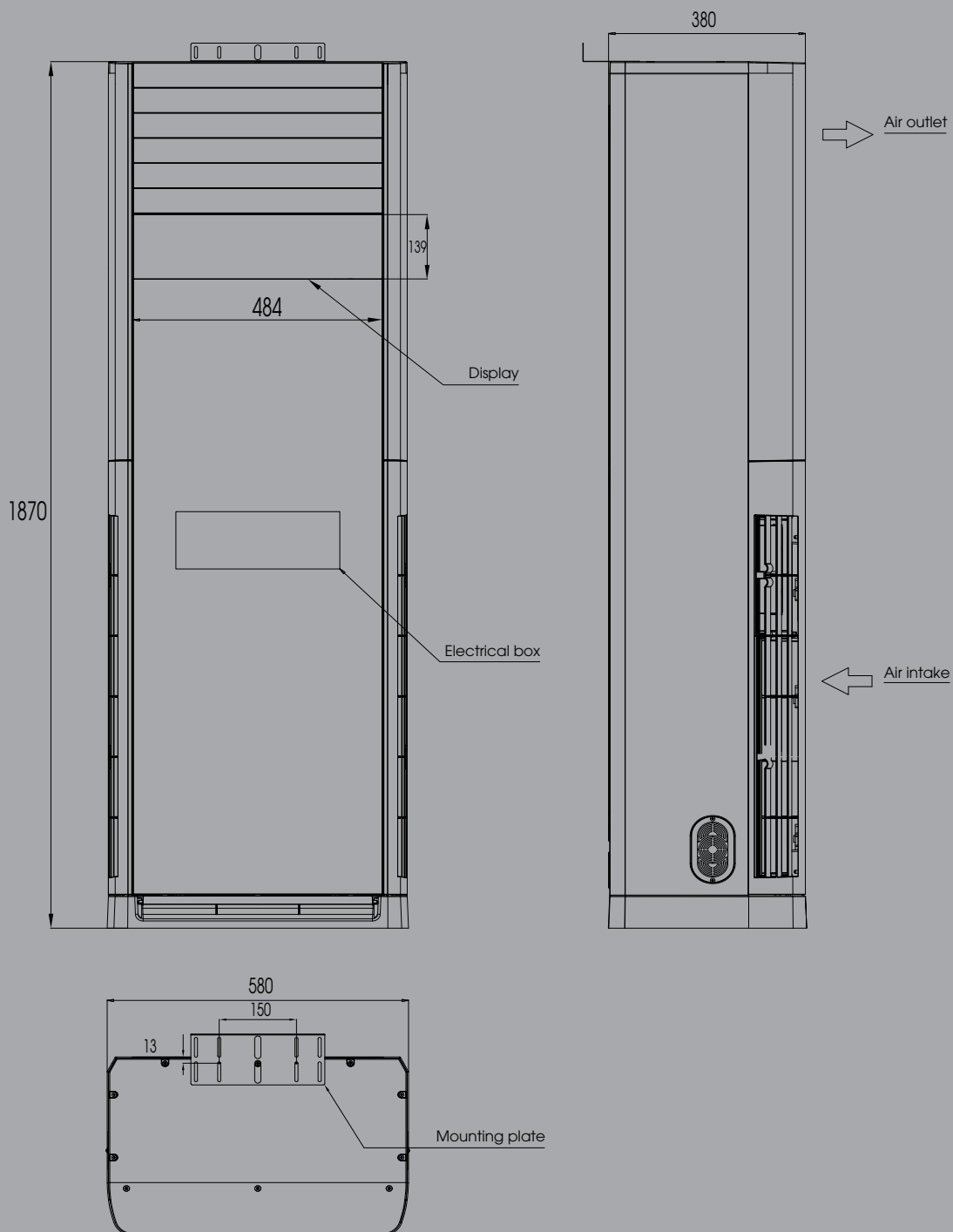
R32 New Gas

Indoor Model	AUF140UR4RMPA	
Outdoor Model	AUW140U6RT	
Nominal	W	12300
Nominal	W	14000
SEER	W / W	—
SCOP	W / W	—
Energy Efficiency Class	—	
Energy Efficiency Class	—	
Power Supply	Indoor	220-240V-50/60Hz
Power Supply	Outdoor	380-415V 3N~ 50/60Hz
Indoor Unit (W × H × D)	mm	580 × 1870 × 380
Outdoor Unit (W × H × D)	mm	950 × 1050 × 340
IDU Qty/per 20' / 40' / 40'HQ	32 / 68 / 85	
ODU Qty/per 20' / 40' / 40'HQ	26 / 53 / 106	



# Installation Drawings

AUF140UR4RMPA



## Technical specifications

# Floor Standing



RCH-RTY3  
Remote controller

YXE-C01U1(E)  
Wired controller (optional)



Fresh air



AI Smart



I Feel



HI-NANO



Four Sleep  
modes



TMS



Indoor Self clean

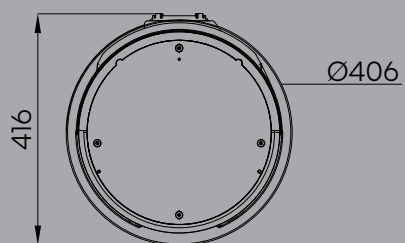
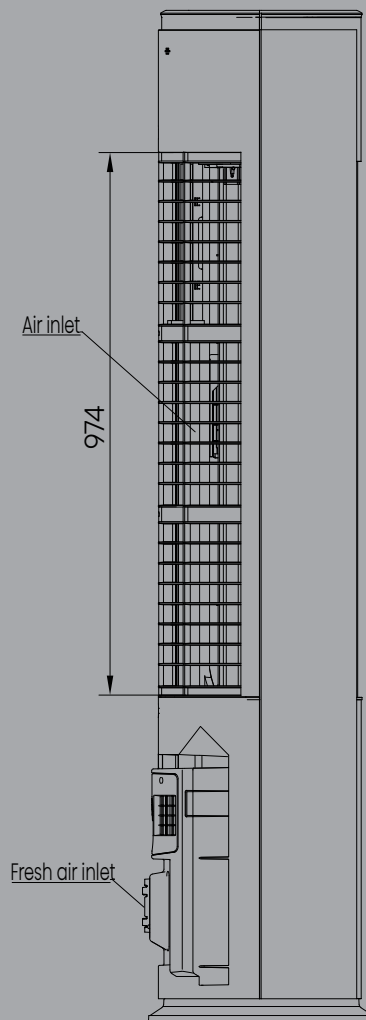
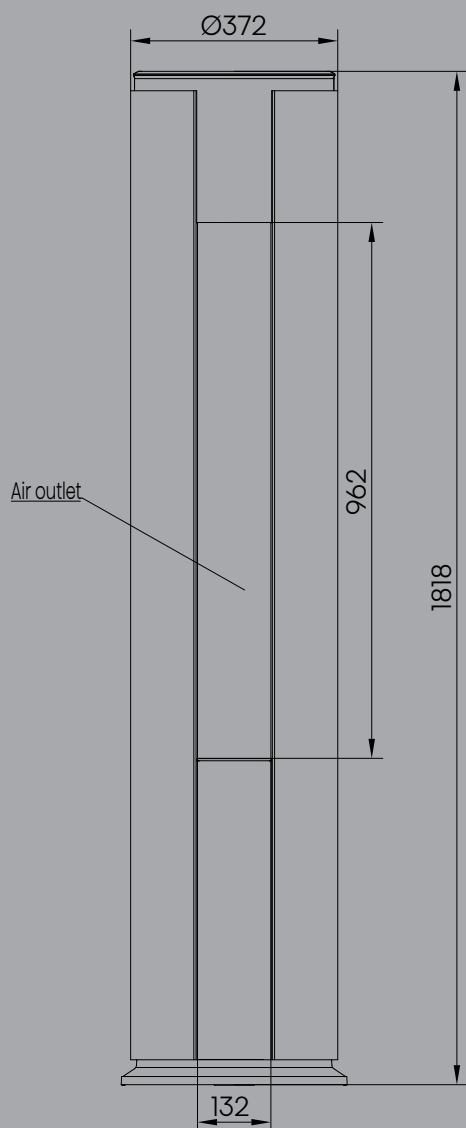


Anti-Virus fin

Indoor Model		AUF71UR4RXB
Outdoor Model		AUW71U4RJ
Nominal	W	7000
Nominal	W	7500
SEER	W / W	7.00
SCOP	W / W	4.30
Energy Efficiency Class		A++/New ERP B
Energy Efficiency Class		A+/New ERP B
Power Supply	Indoor	220-240V/1/50&60
Power Supply	Outdoor	220-240V/1/50&60
Indoor Unit (W × H × D)	mm	372×1818×372
Outdoor Unit (W × H × D)	mm	860×670×310
IDU Qty/per 20' / 40' / 40'HQ		44/92/115
ODU Qty/per 20' / 40' / 40'HQ		90/186/186

# Installation Drawings

AUF71UR4RXB







**06** | CONTROL  
SYSTEM &  
ACCESSORIES

## Controllers



### YXE-C01U(E)

Standard controller for duct air conditioners and optional for other air conditioners.



### YXE-E01U(E)

New compact wired controller, with large screen and touch buttons. It supports 0.5°C temperature accuracy display and optimized functions, for example, Individual air flow.



### YJE-C01T(E)

Central controller that can control 16 IDU's via B544(E)



### RCH-RVD01

Remote controller dedicated for Cassette air conditioners with support for individual vane function



### RCH-RTY3

Remote controller for Fresh Master, Energy Pro Plus and Energy Nordic air conditioners with advanced functions as for example Fresh Air, AI Smart, HI-NANO.



### R2-01-1

Remote controller with support for HI-NANO and HI-UVC functions.



### R2-01

Remote controller with basic functions, as airflow direction control, temperature settings, etc.



### LI-12

Remote controller with support for 4 sleep mode function.



### JI-91

Remote controller for Portable Air conditioners.

	YXE-EOIU(E)	YXE-CO1UI(E)	YJE-COIT(E)
<b>Main Function</b>			
Max Connectable Indoor	1	1	16
Unit Modes	●	●	●
Temperature Setting	●	●	●
Timer	●	●	●
Sleep	●	●	●
Weekly Schedule	x	●	●
Error Code Display	●	●	●
One Error Shielded	●	●	●
Check	●	●	●
Wireless Remote Receive	●	●	x
Wireless Remote Receive Forbid	x	●	x
Touch Lock/Bottom Lock	●	●	●
Operation Monitor	●	●	●
Filter Cleaning Remind	●	●	●
Filter Cleaning Timing	●	●	●
°C/°F	●	●	●
Temperature Display switching	●	●	●
Clock	x	●	●
Mode Lock	●	●	●
Temperature Range Limit	●	●	●
Temperature Range Limit Forbid	x	●	●
Central & Group Controlled	x	x	x
Central & Group Controller	x	x	●
Address Setting (For Being Controlled)	x	●	●
Simplified Central Controller	x	x	x
I Feel	●	●	●
Temperature Compensation	●	●	●
Temperature Compensation Forbid	x	●	●
High Ceiling Function	●	●	●
Duct Static Pressure Setting	●	●	●
On-off Setting	●	●	●
Auto Restart	●	●	●
Alarm On or Off	●	●	●
Dimer	●	●	●
Mute	x	●	●
Powerful	x	●	●
Up and Down Swing	●	●	●
Left and Right Swing	●	●	●
<b>Features</b>			
LCD Screen	●	●	●
Compact 86×86×15	x	x	x
Big 120×120×20	x	●	●
<b>Power Supply</b>			
DC 12-17V	●	●	x
AC 175-264V	x	x	●
Distance to the Indoor Unit	40m	40m	40m
Built-in Backup Power	x	x	x
<b>Communicate</b>			
BACnet	x	x	●



## B544(E)

It is a communicating box used in central control system. One IDU uses one B544(E).

Adapter of the combination of B544(E) & B542(E) & B543(E)

\*B544(E) is the adapter of BACnet, Modbus, Twin System.



## HLZX-01A

LCAC AHU Kit



## Pump P-16

External pump, used for AC without internal pump.



## Pump P-12

Semi-external pump, used for AC without internal pump.



## C551

Repeater



## HCPC-H3C1

H-Link Adapter



## 12v DC output kit

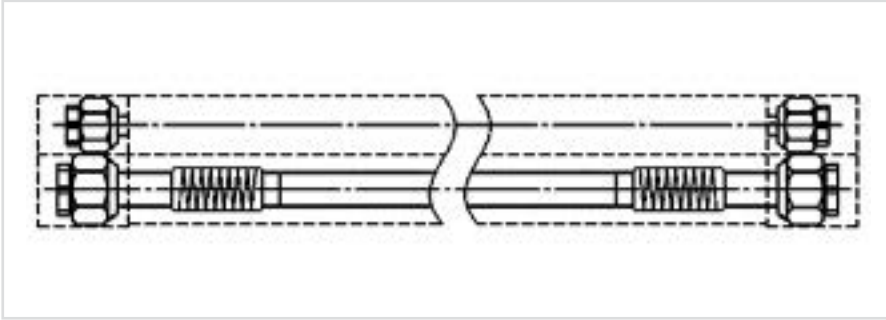
HS 2089912



## HI-NANO-01A(E)

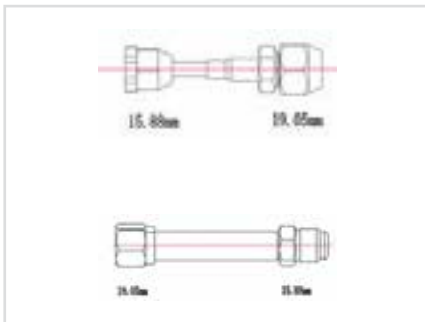
LCAC HI-NANO





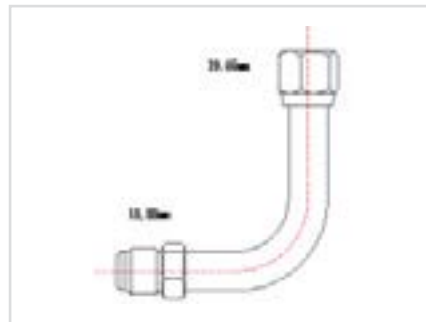
## Connecting Pipes

HS1932947, 6.35mm & 9.52mm, 5m  
 HS1932996, 6.35mm & 12.7mm, 5m  
 HS1805376, 6.35mm & 15.88mm, 5m  
 HS1805597, 9.52mm & 15.88mm, 5m  
 HS1530487, 9.52mm & 19.05mm, 5m



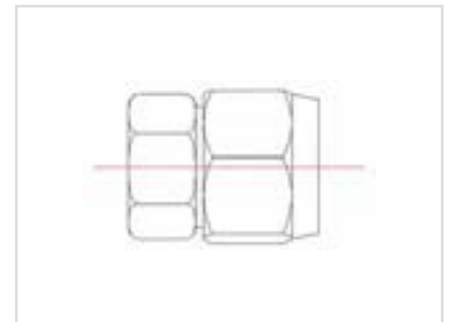
## Pipe Adapter

HS1931361, from 15.88mm to 19.05mm  
 HS1894684, from 19.05mm to 15.88mm



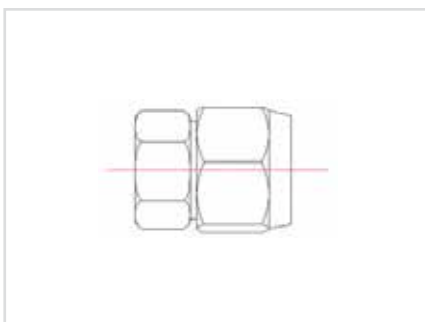
## Pipe Adapter L

HS2019577, from 19.05mm to 15.88mm



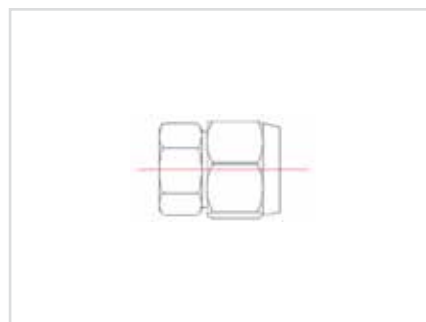
## Adapter

HS2014749, from 9.52mm to 15.88mm



## Adapter

HS1493010, from 9.52mm to 12.7mm



## Adapter

HS2014748, from 6.35mm to 9.52mm

life reimagined





# Hisense

---

Hisense International Co., Ltd.

Add: F22, Hisense Tower, 17 Donghaixi Road  
Qingdao, China 266071  
Tel: +86-532-83878888  
Fax: +86-532-83866770  
E-mail: [marketing@hisense.com](mailto:marketing@hisense.com)  
Website: <http://global.hisense.com>

Add: 08 Ronggang Road, Ronggui, Shunde, Foshan, Guangdong, China.  
Fax: +86-757-28361060  
E-mail: [marketing@hisense.com](mailto:marketing@hisense.com)  
Website: <http://global.hisense.com>

Note: Product design and specification subject to change without prior notice.

© 2023 Hisense Corporation. All rights reserved. Hisense and the Hisense logo are trademarks or registered trademarks of Hisense Group in China and/or other countries. All rights reserved. The Hisense Smart TV logo, Ultra HD High Definition logo, SMR logo and life reimagined logo are trademarks or registered trademarks of Hisense Electric Co., Ltd. in China and/or other countries. All rights reserved. All other company names, brand names, trademarks and logos are the property of their respective owners. All rights reserved.